

CHRYSLER 05 CROSSFIRE





Crossfire SRT6 Coupe in Sapphire Silver Blue Metallic and SRT6 Roadster in Graphite Metallic



Chrysler inspiration.
Standard on every model of Crossfire we build.

SRT6 ROADSTER AND SRT6 COUPE
Crossfire, with more fire

ROADSTER LIMITED AND ROADSTER
Wide-open inspiration

COUPE LIMITED AND COUPE
The new shape of exhilaration

Can inspiration blur the line between technology and exhilaration? Can an automobile be more than the sum of its parts? Can inspiration defy conventional thinking? Shouldn't a car do more than merely satisfy the ego? Can a coupe look as good as a roadster,

and vice versa? Can inspiration be stylish at any speed? Is there a car company out there that has dreams, then turns them into reality? Yes, to all of the above. Chrysler Crossfire Coupe and Roadster.



Crossfire SRT6 Coupe in Sapphire Silver Blue Metallic



Crossfire SRT6 Roadster in Aero Blue



The fixed rear spoiler, exclusive to SRT6, helps provide optimal aerodynamics, balancing front and rear lift. The four-channel all-wheel ABS engages at a rate of 30 times per second to prevent wheel lockup and to better maintain directional stability. The performance tuning of both the front double-wishbone and independent five-link rear suspension systems makes for quick reflexes and wheel guidance.



Supercharging Crossfire's standard 90-degree, all-aluminum SOHC V6 engine means a significant increase in horsepower without a corresponding increase in engine displacement. Which translates to a blistering 0-60 mph in about five seconds. Three-valve technology and dual ignition work in unison to keep torque high; 98 percent of maximum torque is available between 3,000 and 5,500 rpm.



Crossfire Roadster Limited in Sapphire Silver Blue Metallic



Crossfire Roadster Limited in Classic Yellow



A lock/unlock D-handle is centrally located at the front bow; one simple turn releases the top from the frame and lowers the windows. Touch a button and the top automatically lowers. And by continuing to depress the button, you bring the windows back up. With its race-car-inspired wheels and sports bars, Crossfire Roadster proves that black is anything but basic.

Crossfire Roadster shown in Black





Crossfire Coupe Limited shown in Sapphire Silver Blue Metallic



Crossfire Coupe Limited in Sapphire Silver Blue Metallic

Crossfire Limited exudes the confidence that comes with being the leader of the coupes. Complete with the best of what Crossfire stands for, leather-trimmed seats, semi-automatic temperature control and a whole host of power amenities. Finished in Satin Silver, Crossfire's signature longitudinal spine tops the shift lever of the available 5-speed automatic with AutoStick.[®]





Crossfire Coupe in Black Clearcoat



Crossfire Coupe comes dressed with a sleek Black Clearcoat, cloth seats, 18-inch front wheels and muscular, 19-inch wheels in the back. And true of the entire Crossfire suite of cars, its structural rigidity is race-car-like, providing a solid platform for the suspension, and allowing it to be tuned for both a comfortable ride and world-class handling and performance.



Crossfire Roadster Limited interior in Dark Slate Gray Leather Trim

INTERIOR DETAILS

Limited's cockpit is shrouded in premium leather-trim and Satin Silver accents. But it is well equipped with more than just atmosphere. Such as the 240-watt Infinity™ Modulus™ sound system, eight-way, power heated driver's seat, a telescoping steering column and Dual Zone Temperature Control.

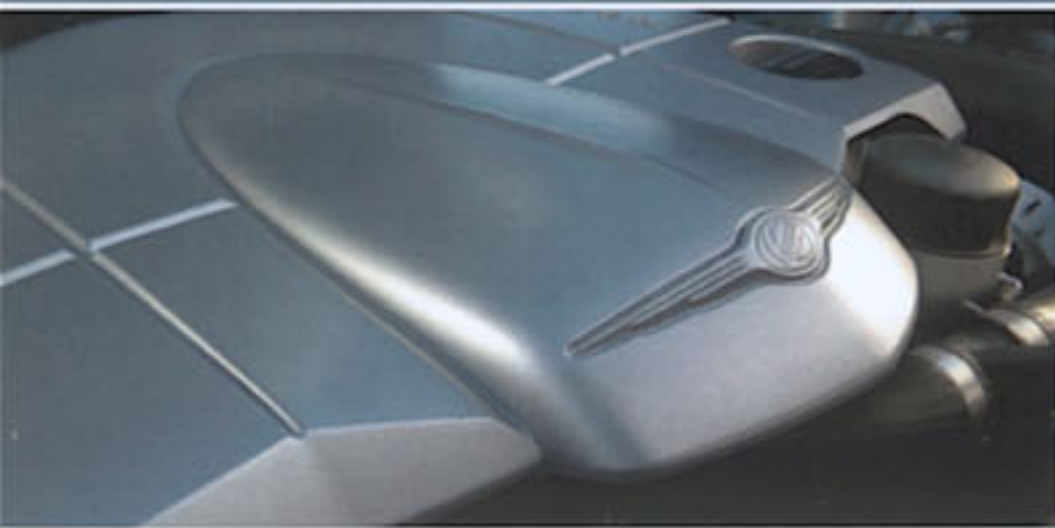


The center console is easy to read and reach; and the centrally mounted switches control power mirrors and windows, the heated seats and central locking in your Limited or SRT6. The gauge cluster's bezel, elegantly trimmed in Satin Silver, is wrapped around SRT6's 200-mph speedometer.

PERFORMANCE AND HANDLING

Can rear-wheel drive put inspiration into all four wheels? Yes, yes, yes, and yes.

Staggered wheel sizes: 18-inch front for precision steering, 19-inch rear to deliver power to the pavement. And an independent double-wishbone front and independent five-link rear suspension for stability at high speeds.





The nimble Crossfire, with lateral acceleration approaching 1g, corners with exceptional ease and grace. The standard performance tires are as gripping as a great suspense novel, while all-speed traction control issues a restraining order to inclement driving conditions. Take the same control over your rpm with the rod-actuated six-speed manual,* or the available five-speed* automatic with AutoStick® for clutchless manual shifting.

*Six-speed manual, standard on Crossfire and Limited. Five-speed automatic with AutoStick, standard on SRT6 and available on Limited.



Tuning the shapes of the front fascia, rear spoiler and rear underbody diffuser means that both Coupe and Roadster provide optimal aerodynamic balance. And a rear spoiler helps balance front and rear downforce at high speeds. But through all our technology calculated to save fuel and maintain control, Crossfire is also well prepared for "what if." Energy-absorbing structures and fuel tank designs were engineered not just for government-regulated crash tests, but a more stringent requirement: our own.

DESIGN AND ENGINEERING

While impeccably assembled by one of Europe's master coach builders, our thinking goes far beyond aesthetics. The cast-aluminum V6 is placed for optimal weight balance, and weighs 65 pounds less than a competitor's engine with the same displacement. Can metal be sculpted to please both form and function? Crossfire says yes, by design.



EXTERIOR AND INTERIOR COLORS

Alabaster White
2,5

Blaze Red Crystal Pearl Coat
2, 5

Classic Yellow
5

Black Clearcoat
1, 2, 3, 4, 5, 6

Sapphire Silver Blue Metallic
2, 3, 5, 6

Graphite Metallic
2, 3, 5, 6

Aero Blue
2, 3, 5, 6

Dark Slate Gray Leather
2,5

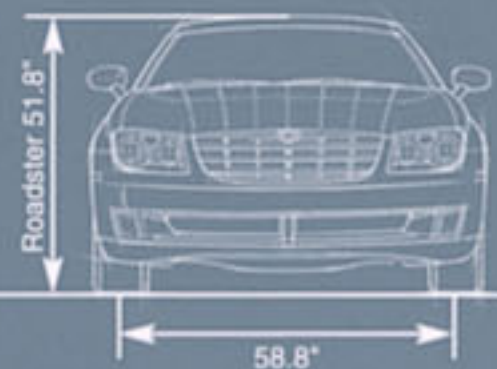
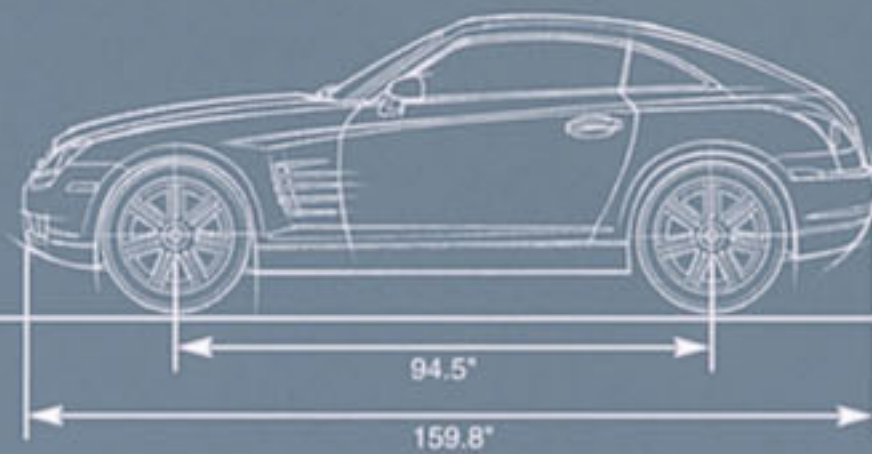
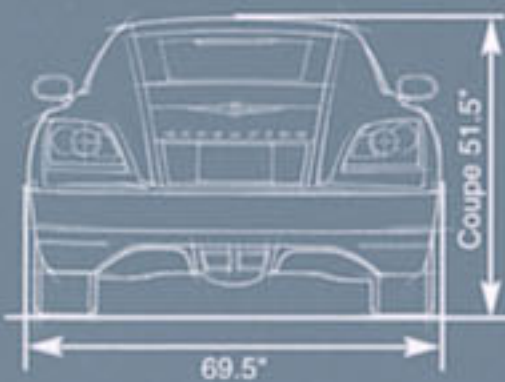
Dark Slate Gray and Cool Vanilla Leather
5

Dark Slate Gray and Medium Slate Gray Leather
2, 5

Dark Slate Gray and Cedar Leather
2, 5

Pearl Nappa Leather
Dark Slate Gray
3, 6

Alcantara® Suede



Standard Wheel



SRT6 Wheel

LEGEND:

- 1) Crossfire Coupe
- 2) Crossfire Coupe Limited
- 3) Crossfire SRT6 Coupe
- 4) Crossfire Roadster
- 5) Crossfire Roadster Limited
- 6) Crossfire SRT6 Roadster

	Coupe/Roadster		
	Crossfire	Limited	Crossfire SRT6
MECHANICAL			
3.2L SOHC 18V V6 – with 6-speed manual	S	S	
3.2L SOHC 18V V6 – with 5-speed automatic with AutoStick*		O	
3.2L Supercharged SOHC 18V V6 – with 5-speed automatic with AutoStick*			S
Brakes – 4-wheel disc antilock	S	S	S
– Performance 4-wheel disc antilock			S
– Brake assist, emergency	S	S	S
Electronic Stability Program	S	S	S
Stabilizer Bar – Front and Rear	S	S	S
Steering – Power	S	S	S
Suspension – Touring	S	S	
– Performance			S
Traction Control – All speed	S	S	S
Transmission – 6-speed manual	S	S	
– 5-speed automatic w/ AutoStick®		O	S
INTERIOR FEATURES			
Console – w/cup holder, lockable (no cup holder on Base) (lockable on Roadster models only)	S	S	S
Door Trim Panel – Soft w/map pockets	S	S	S
Door Handles – Satin, Chrome		S	S
Glove Box – Locking	S	S	S
Garage Door Opener – Universal		S	S
Instrument Cluster – Includes tachometer, 160-mph	S	S	
– Includes tachometer and SRT6 identifier, 200-mph			S
Lamps – Center high-mounted Stop	S	S	S
– Front courtesy/map	S	S	S
– Glove box	S	S	S
– Cargo compartment	S	S	S
Lighter – Cigar (Black on Base, Satin Silver on Limited/SRT6)	S	S	S
Mirror – Day/Night	S	S	S
Power Accessory Delay	S	S	S
Remote Keyless Illuminated Entry	S	S	S
Speed Control	S	S	S
Steering Column – Telescoping	S	S	S
Steering Wheel – Leather-wrapped (contrasting stitching on SRT6)	S	S	S
EXTERIOR FEATURES			
Defroster – Rear window	S	S	S
Exhaust Tip – Dual tip (Bright on Limited/SRT6)	S	S	S

S = Standard, O = Optional, NA = Not available.

*Certified to the Federal Regulations that allow less forceful front air bags. Always use seat belts. Children 12 and under should always be in a backseat correctly using an infant or child restraint system, or a seat belt positioned correctly for the child's age and size.

EXTERIOR FEATURES (CONTINUED)

	Coupe/Roadster		
	Crossfire	Limited	Crossfire SRT6
Fog Lamps – Front		S	S
Glass – Tinted glass including windshield	S	S	S
Headlamps – Halogen projector	S	S	S
Mirrors – Heated, power, foldaway (non-heated on Base)	S	S	S
Spoiler – Rear, active	S	S	
– Rear, Fixed body-color			S
Tires – P225/40ZR18, P255/35ZR19 Performance	S	S	S
– P225/40ZR18, P255/35ZR19, all-season performance	O	O	O
– Service kit	S	S	S
Top Convertible – Power, cloth	NA/S	NA/S	NA/S
Tow Hooks	S	S	S
Wheels – 18" aluminum front/19" aluminum rear	S	S	S
– Full-face SRT6 design			S
Windows – Power, driver and passenger one-touch	S	S	S
Wipers/Washers – Front variable intermittent, speed-sensitive	S	S	S
– Warning signal – Low washer fluid	S	S	S

SEATING AND TRIM

Seating – Cloth, low-back buckets in Dark Slate Gray	S		
– Leather high-back buckets		S	
– Leather-trimmed high-back buckets with Alcantara® Suede inserts			S
– Manual, 8-way driver's, 4-way passenger	S		
– Heated 8-way power driver's and 4-way power front-passenger seats		S	S

ENTERTAINMENT SYSTEMS

Radio – AM/FM/compact disc	S	S	S
– AM/FM/CD, GPS navigation system		O	O
– Infinity™ Modulus® 240-watt amplified sound system with dual sub-woofers		S	S

SAFETY AND SECURITY

Air Bags ⁽¹⁾ – Next Generation driver and front-passenger	S	S	S
Air Bags ⁽¹⁾ – Supplemental side-impact protection (CGS)	S	S	S
Child Seat Anchor System (LATCH Ready)	S	S	S
Inside Emergency Trunk Release	NA/S	NA/S	NA/S
Locks – Power auto central locking	S	S	S
Security Alarm – Premium	S	S	S
Sentry Key Engine Immobilizer	S	S	S
Tire Pressure Monitoring System		S	S

All product illustrations, specifications and competitive comparisons are based upon current information at the time of publication approval. Although descriptions are believed correct, complete accuracy cannot be guaranteed. DaimlerChrysler reserves the right to make changes at any time, without notice or obligation, in prices, specifications, equipment, colors and materials, and to change or discontinue models. Some of the equipment shown or described throughout this catalog is available at extra cost. See your dealer for the latest information.

VISIT YOUR DEALER

Your Chrysler dealer's knowledgeable and professionally trained staff will guide you through the shopping process with expert advice.

VISIT CHRYSLER.COM

Our Web site offers detailed information on all Chrysler products. You can virtually assemble any car or minivan you like...choose the model with your favorite color combinations, equipment and features—and then price it all out.

CALL 1-800-CHRYSLER

Our friendly and knowledgeable product information specialists are available seven days a week, 8 a.m.–midnight (EST) to answer your questions.

CROSSFIRE CARE PLAN

This plan provides a complimentary courtesy vehicle for scheduled dealer visits.

WARRANTY

All new Chrysler vehicles are covered by a 3/36 Basic Limited Warranty and most are covered by a 7/70 Powertrain Limited Warranty. Ask your dealer for



additional details and a copy of these Limited Warranties. The SRT6 models are not covered by the 7/70 Powertrain Limited Warranty. The 7/70 is transferable to a second owner for a fee. A deductible applies to the 7/70 Powertrain Limited Warranty.

Chrysler Financial

Chrysler Financial, a member of the DaimlerChrysler Services Group, has flexible payment plans and financing products available for qualified buyers. Talk with your Chrysler dealer or visit chryslerfinancial.com for details.

CROSSFIRE TOURING GEAR

Available high-performance travel gear, designed specifically to fit in the cargo area, maximizes available space. (See your dealer for details.)







What is inspiration? It's innovations, technology, and soul-stirring designs, completely and wonderfully intertwined. It's putting new ideas in your driveway, while other carmakers are still sculpting theirs in clay. It's knowing that building vehicles in financial reach is every bit as essential as reaching for the stars. Can this kind of inspiration be the driving force behind an entire company? It is, right now. Chrysler. Inspiration comes standard.

CHRYSLER



INSPIRATION COMES STANDARD

To take a virtual tour, visit CHRYSLER.COM or for more information, call 800.CHRYSLER