

2005 SUBARU FORESTER



A BALANCE OF COMFORT, UTILITY AND CAPABILITY.

Beware the beaten path. It is the path of followers, not leaders. Of tourists, not explorers. It is the road traveled by those more trusting of convention than invention. And it is not the path of Subaru. Because for over three decades we have blazed our own trail, building the kind of cars people depend on every day. Capable cars. Rational cars. Intelligent cars. We introduced America to the beauty of All-Wheel Drive. We proved ourselves on rally courses around the world, but our journey never truly ends, it merely evolves. As do we, with cars that offer more than mere capability. Much more. They are stylish. Powerful. Exhilarating. They ignite passion. In this way, we constantly push the boundaries. Continually redefining what a Subaru can be.

The truest measure of an SUV isn't size.

It's substance. A point of view exemplified

by the intelligently proportioned 2005

Subaru Forester. As capable on the

highway as they are in the high

desert, all Forester models indulge

occupants with a wealth of thoughtful

conveniences. They provide a sense of

security, with a rugged exterior and an

AND CONFIDENCE.

abundance of active and passive safety

features. Most importantly, they inspire

true driving confidence, thanks to

a powerful Subaru Boxer engine

with Symmetrical All-Wheel Drive for

self-assured handling in virtually every

environment. All of which result in a driving

experience that can be defined by that most

substantive quality of all: Peace of mind.

THE 2005 FORESTER



Forester 2.5 XT with Premium Package shown in Platinum Silver Metallic with accessory heavy-duty cargo basket

**FORESTER 2.5 XT.** WHO NEEDS ESPRESSO WHEN YOU CAN START YOUR DAY  
BEHIND THE WHEEL OF THE INVIGORATING FORESTER 2.5 XT. ENGINEERED



FOR REAL-WORLD CAPABILITY AND  
PERFORMANCE, IT FEATURES OUR  
INTERCOOLED AND TURBOCHARGED  
210-HP SUBARU BOXER ENGINE WITH  
ACTIVE VALVE CONTROL SYSTEM (AVCS)

VARIABLE VALVE TIMING AND SYMMETRICAL ALL-WHEEL DRIVE (AWD). RESULTING  
IN A DRIVING EXPERIENCE THAT PUTS THE SPORT BACK INTO SPORT UTILITY.



Forester 2.5 XT with Premium Package shown with Black leather, optional automatic transmission and accessory performance gauge pack

16" 6-spoke wheels

SUBARU, 2004

The Forester 2.5 XT is picked as one of *Car and Driver* magazine's 2004 *5Best Trucks* in the Small SUV category.

Raised suspension

Fog lights

Roof rails with cross bars

Windshield wipers de-icer

**INJECTING A DOSE OF ADRENALINE** into the SUV experience, the powerful Forester 2.5 XT caters to enthusiasts of every sort with a well-proportioned cabin that's equal parts luxury, utility and driver-focused functionality. Up front, silver metallic trim gives the cockpit a sleek, stylish look. An 8-way power driver's seat ensures a comfortable, easily adjusted driving



**1** Sport-design instrumentation gives the Forester 2.5 XT a performance-infused flair.

**2** A sporty, leather-wrapped shift knob practically begs you to put the standard 5-speed manual transmission of the 2.5 XT through its paces every chance you get.

**3** A road trip without music is like a campfire without s'mores. So the 2.5 XT is equipped with an AM/FM/Weatherband stereo with an in-dash 6-disc CD player for hours of uninterrupted entertainment.



position. An automatic climate control system works to maintain a preset temperature. All supplemented by a rear cargo area offering over 62 cubic feet of carrying capacity with the rear seats folded down. Or for an even more luxurious experience, the 2.5 XT Premium Package delivers added benefits like rich, Black leather-trimmed upholstery and a panoramic power moonroof.

Sport-design front seats

Heated front seats

In-dash CD player

Automatic climate control system

12-volt power outlets

16" 5-twin-spoke wheels

Raised suspension

Self-leveling rear suspension

Roof rails with cross bars

Automatic climate control system

**FORESTER 2.5 XS L.L.BEAN® EDITION.** NEW FOR 2005, THE FORESTER 2.5 XS L.L.BEAN EDITION OFFERS ALL-WHEEL DRIVE CAPABILITY, LUXURIOUS REFINEMENT, PLUS A LIST OF STANDARD FEATURES THAT'S AS BIG AS ITS NAMESAKE'S CATALOG.



**1** For those who find the idea of packing light to be something of an oxymoron, the 2.5 XS L.L.Bean Edition offers up to 62 cubic feet of maximum cargo space with the rear seats folded down, plus a durable hard lining for easy clean up when your gear returns home wet and muddy.



**2** In keeping with its exceptional breeding, the 2.5 XS L.L.Bean Edition pampers occupants with leather-trimmed seats and an ergonomically designed dashboard, featuring a convenient automatic climate control system.

**RUGGED YET UNQUESTIONABLY STYLISH,** the well-appointed interior of the 165-hp 2.5 XS L.L.Bean Edition is defined by distinctive L.L.Bean-embossed leather-trimmed upholstery and embroidered floor mats. A security system with remote access. Silver metallic accents. Heated front seats that help take the chill out of cold winter mornings. And so much more.

Auto-dimming rearview mirror with compass

Panoramic moonroof

Security system

12-volt power outlets

Durable hard-surface cargo area







16" 8-spoke wheels

SUBARU, 2004

The Forester receives the R.L. Polk Loyalty Award for the Highest Model Loyalty in the Compact Sport Utility Vehicle Segment!

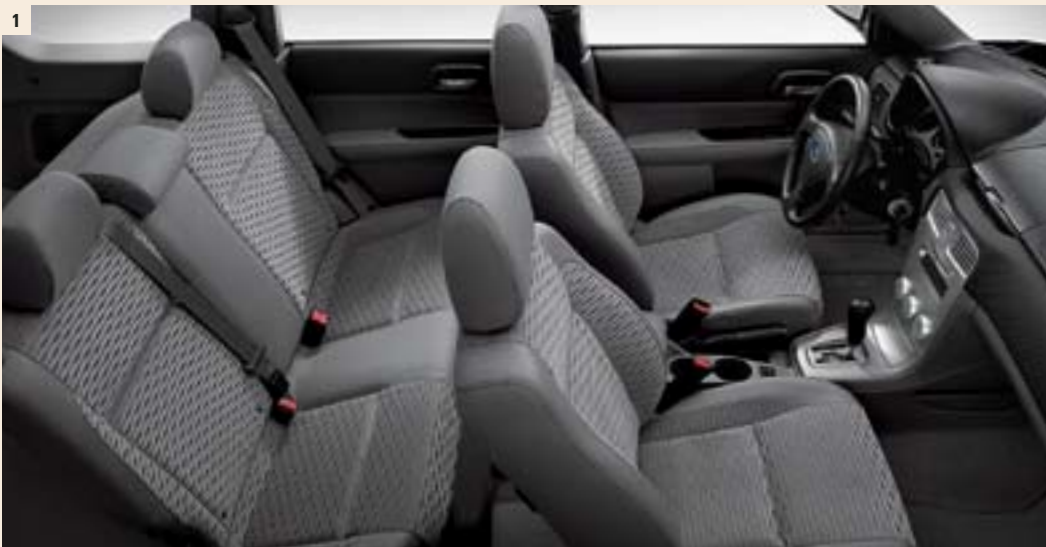
Raised suspension

Power driver's seat

Heated front seats

Leather-wrapped shifter handle

**FORESTER 2.5 XS.** DESIGNED TO NAVIGATE RAIN STORMS, POTHOLES AND CROWDED PARKING LOTS WITH UNFLAPPABLE STYLE AND CONFIDENCE, THE FORESTER 2.5 XS BRINGS A LEVEL OF CIVILITY TO AN OFTEN UNCIVILIZED WORLD.



**1** Inside the spacious 2.5 XS, you'll find elegant yet durable Gray Moquette upholstery, seating for five, plus room for their luggage.

**2** Slip into the driver's seat and you'll find a new leather-wrapped 3-spoke steering wheel, a silver metallic-trimmed instrument panel and a multitude of controls within easy reach.

**SURE-FOOTED** in even the most challenging of conditions, the All-Wheel Drive, 165-hp 2.5 XS offers a reassuring blend of capability and refinement. Its spacious, well-equipped interior includes everything from an AM/FM/Weatherband stereo with a 6-disc in-dash CD changer, to a new 8-way power driver's seat, to an optional power moonroof that's as big as the great outdoors.

Automatic climate control system

Air filtration system

In-dash CD changer

Keyless entry system

12-volt power outlets

<sup>1</sup> According to Polk statistics for the Compact SUV Category in the 2003 model year, Subaru Forester ranked the highest by having the greatest percentage of households return to purchase or lease another Forester vehicle.

**FORESTER 2.5 X.** INTELLIGENTLY SIZED YET SPACIOUS ENOUGH FOR THE ENTIRE FAMILY, THE FORESTER 2.5 X DELIVERS ALL-WHEEL DRIVE CONFIDENCE, REMARKABLE UTILITY, AND A VALUE THAT'S AS ACCOMMODATING AS THE VEHICLE ITSELF.



- 1** The well-designed interior of the Forester 2.5 X is available with resilient Beige or Gray Tricot upholstery, and has room for five. Or six, if you count the family pet.
- 2** Fold down the rear seat and you'll enjoy over 62 cubic feet of available cargo space. That's enough room for all your gear, plus a week's worth of groceries.
- 3** Under the cargo-area floor, you'll find even more storage room in a compartment that's great for gloves, dog toys or anything else that's coming along for the ride.

**WHILE UTILITARIAN IN MINDSET,** the affordable 2.5 X is extravagant where it matters most, providing outstanding capability, style and comfort. Powered by a 165-hp Subaru Boxer engine with road-grabbing Symmetrical AWD, it comes equipped with such thoughtful standard features as dual 12-volt power outlets, convenient 60/40-split fold-down rear seats, and much more.

16" 5-spoke wheels

Raised suspension

Hill Holder clutch<sup>1</sup>

Roof rails with cross bars

Rear wiper de-icer



Forester 2.5 X shown in Regal Blue Pearl/Textured Gray with accessory splash guards

In-dash CD player

Air filtration system

Keyless entry system

12-volt power outlets

Under-floor storage compartment

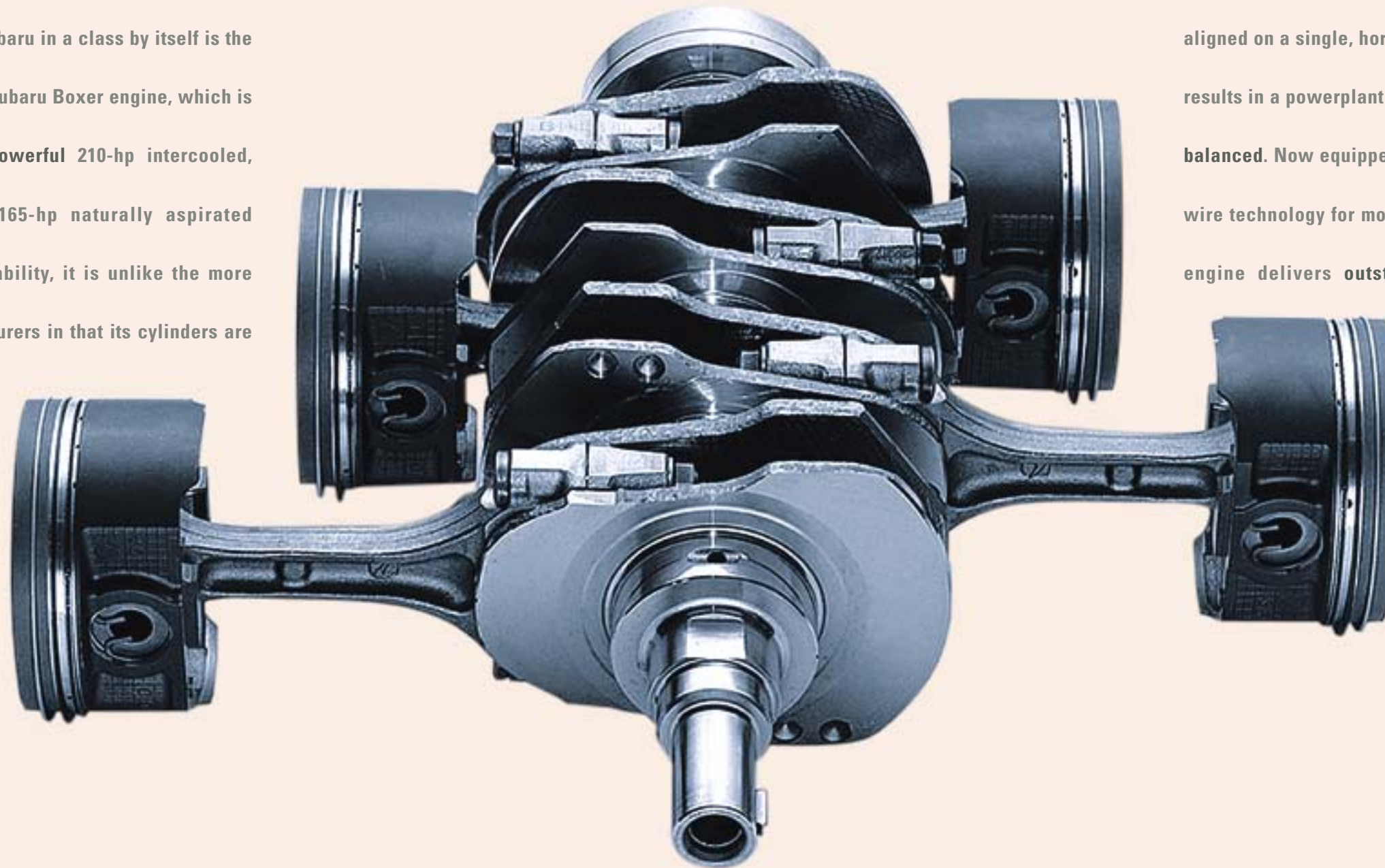
<sup>1</sup>With manual transmission.

SUBARU, 1974

**The Subaru 4WD Wagon is introduced, the first mass-market four-wheel drive passenger car in the United States.**

**TECHNOLOGICALLY SPEAKING**, what places Subaru in a class by itself is the distinctively innovative, horizontally opposed Subaru Boxer engine, which is available in Forester models as either a powerful 210-hp intercooled, turbocharged 4-cylinder or an energetic 165-hp naturally aspirated 4-cylinder. Rally-proven for exceptional reliability, it is unlike the more conventional engine layouts of other manufacturers in that its cylinders are

aligned on a single, horizontal plane. This remarkably efficient configuration results in a powerplant that is compact, lightweight and extraordinarily well balanced. Now equipped with our Electronic Throttle-Control (ETC) drive-by-wire technology for more accurate and precise response, the Subaru Boxer engine delivers outstanding power and performance across a wide variety of driving conditions and environments.



**1** Our Active Valve Control System (AVCS) found in the Forester 2.5 XT helps to deliver increased low-end power while allowing for greater breathing at higher engine speeds.  
**2** Aluminum-alloy block and cylinder heads help to reduce engine weight without sacrificing strength or durability, thereby improving overall vehicle balance.

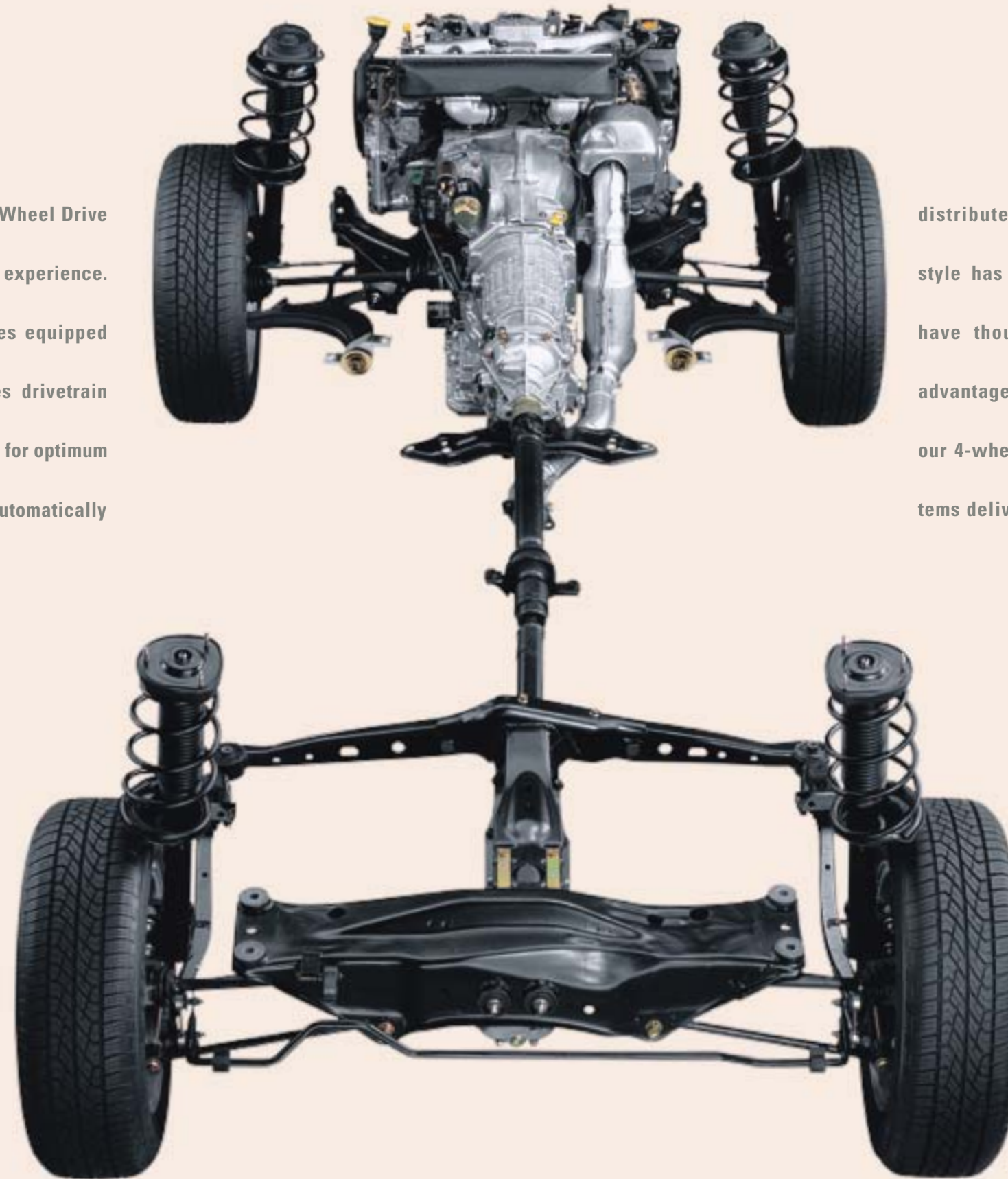


**3** Turbocharging the Subaru Boxer engine featured in the Forester 2.5 XT allows the benefit of increased horsepower and torque without having to increase engine size or displacement.

Forester Engines	
2.5-liter Turbocharged 4-cylinder	210 hp, 235 lb.-ft. of torque
2.5-liter 4-cylinder	165 hp, 166 lb.-ft. of torque

FOR OVER 30 YEARS, the Subaru name has been synonymous with All-Wheel Drive (AWD). It is our passion, our heritage, and an integral part of the Subaru experience. So it should come as no surprise that every vehicle we build comes equipped with our advanced Symmetrical All-Wheel Drive system. It features drivetrain components positioned along a longitudinal axis and between the axles for optimum balance. In turn, power is constantly delivered to all four wheels and automatically

distributed to where traction is needed most. Every vehicle and driving style has its own specific AWD requirements, however. So Subaru engineers have thoughtfully developed multiple systems, each with its own distinct advantages and capabilities. When integrated with our Subaru Boxer engine and our 4-wheel fully independent suspension, these advanced All-Wheel drive systems deliver the performance, handling and agility that make a Subaru, a Subaru.



**1** Our new 4-speed electronic direct-control automatic transmission offers even smoother and more precise shifting under a variety of driving conditions. It is optional on the Forester 2.5 XS and 2.5 XT, and standard on the 2.5 XS L.L.Bean® Edition.

**2** Standard on most Forester models,<sup>1</sup> our 5-speed manual transmission delivers smooth, direct and exceptionally precise shifts.

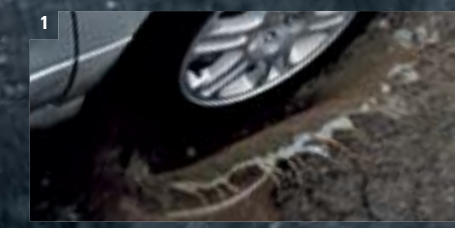
**3** The new 2.5 XS L.L.Bean Edition offers an exclusive, self-leveling rear suspension that helps keep the vehicle level regardless of load.

Forester Models	AWD System	How It Works
2.5 X, 2.5 XS and 2.5 XT models with 5-speed manual	Continuous	Utilizing a viscous-center locking differential, under normal conditions power is split 50/50 between the front and rear wheels. If wheel slippage occurs, the center differential helps transfer power to the wheels with the best traction.
2.5 X, 2.5 XS and 2.5 XT models with 4-speed automatic	Active	Featuring an electronically managed continuously variable multi-plate transfer clutch, this AWD system monitors parameters such as wheel slippage and vehicle speed, transferring power to the front or rear wheels with the best traction.

FORM FOLLOWS FUNCTION. IT IS THIS SIMPLE YET POWERFUL CREED THAT LIES AT THE CORE OF EVERYTHING WE DO. IT IS WHAT DRIVES US TO CONSTANTLY PURSUE MORE ADVANCED TECHNOLOGIES, AND MORE INNOVATIVE SOLUTIONS. ALL OF WHICH ARE PUT TO THE TEST EVERY DAY. BECAUSE A SUBARU IS MORE THAN A VEHICLE YOU CAN DEPEND ON. FAR MORE. A SUBARU IS A VEHICLE YOU CAN BELIEVE IN.



**BENEATH THE SKIN**, the Subaru Boxer engine and Symmetrical All-Wheel Drive work in unison to deliver exceptional performance in virtually every environment. They are in turn complemented by precise, engine-speed-sensing variable



**1** A heavy-duty raised fully independent suspension absorbs bumps, potholes and just about whatever the road has in store.  
**2** A MacPherson-type strut front and rear suspension provides enhanced handling and a smooth, balanced ride on the most winding of roads.



rack-and-pinion steering, an incredibly rigid yet lightweight body structure, and a 4-wheel independent suspension for dynamic, balanced handling across a wide variety of driving conditions.



**2003 SUBARU FORESTER**  
//////  
**INSURANCE INSTITUTE  
FOR HIGHWAY SAFETY**  
//////  
**CEF0214**



Symmetrical AWD

SUBARU, 2003

Since tested, the Forester maintains the highest rating in frontal offset crash test results from the Insurance Institute for Highway Safety (IIHS)<sup>1</sup>

Dual-stage front air bags (SRS)<sup>2</sup>

Side-impact front head/chest air bags (SRS)<sup>2</sup>

Seatbelt pre-tensioners

Seatbelt force limiters

**THE SUBARU DRIVING EXPERIENCE** evokes many emotions. Confidence should always be one of them. Which is why every Subaru is engineered according to the principles of "Active Driving/Active Safety." Proactive safety components such as full-time Symmetrical AWD and 4-wheel anti-lock disc brakes (ABS) with Electronic Brake-force Distribution (EBD) provide



the driver with outstanding vehicle control during evasive maneuvering. And when the unexpected becomes the unavoidable, a cocoon of passive safety features, which includes a Ring-Shaped Reinforcement Frame body structure, front and rear crumple zones, side-impact air bags, and more, work together to help insure all occupants are as safe and sound as possible.

Collapsible steering column

Safety brake pedal system

Side-impact door beams

Daytime Running Lights (DRL)

LATCH system<sup>3</sup>

<sup>1</sup> For more information, contact the Insurance Institute for Highway Safety or visit their Web site at [www.iihs.org](http://www.iihs.org).  
<sup>2</sup> Always wear seatbelts. Children should be properly restrained in the rear seat. <sup>3</sup> LATCH system: Lower Anchors and Tethers for Children.

**BECAUSE EVERYONE'S IDEA** of a perfect driving experience is unique, a wide variety of **Genuine Subaru Accessories** is available to make your Forester as distinctive as you are. Crafted with the same **quality, durability, fit and finish** as the vehicle itself, these specially designed accessories offer a means to **accentuate every aspect of your Forester**



- 1** Roof-mounted Bicycle Carrier: Securely transports one bicycle with a 1" to 3" downtube.
- 2** Hitch-mounted Bicycle Carrier: Slides into trailer hitch to carry up to 2 bikes. Designed for easy dismantling of bikes without lifting.<sup>1</sup>
- 3** Hood Protector: Acrylic plastic and wrap-around design help protect your Forester hood from stone chips and bugs.
- 4** Rear Spoiler: Color-matched rear-deck spoiler adds a sporty touch to the Forester.
- 5** Moonroof Air Deflector: Helps reduce wind noise and cuts sun glare.

with personalized style, functionality and luxury. Moreover, all **Genuine Subaru Accessories** are backed by our basic vehicle **3-year/36,000-mile warranty** when installed at the time of vehicle purchase. For complete warranty details, or to learn more about the full range of available Forester accessories, see your Subaru dealer or visit [www.subaru.com](http://www.subaru.com).

<sup>1</sup> To avoid blocking rear taillights, use only roof-mounted bike attachment to transport solid wheel bicycles.

Square cross bar kit

Ski attachment

Roof cargo carrier

Compartment separator/  
dog guard

Cargo tray



**1** Rear Bumper Cover: Helps protect upper surface of painted rear bumper from scratches and dings.

**2** Splash Guards: Durable vinyl helps protect paint finish. Set of four. Color matched for side cladding or body color.

**3** Cargo Net (Sides and Rear of Seat Back): Additional cargo-net storage helps keep the cargo area organized.

**4** Cargo Net (Rear): Keep things in place in your Forester cargo area.

**5** Auto-dimming Rearview Mirror with Compass: Includes electronic compass. Mirror darkens when headlights are detected from the rear of vehicle.

**6** Turbo-boost Gauge: Illuminated turbo-boost gauge mounts conveniently to side of steering column.

**7** Rear Differential Protector: Helps protect rear differential from rocks and logs.

**8** Subwoofer/Amplifier: Mounts under front passenger's seat. Delivers deep, rich bass sound you not only hear but feel.

**9** Center Armrest Extension: Out-of-sight storage for your phone plus added comfort on long trips.

**10** 6-disc In-dash CD Changer: Allows selection and play for up to 6 CDs.

**11** All-weather Mats: Custom-fitted, heavy-gauge protective mats patterned to match cargo bin and cargo tray.

**12** Upgraded Speakers: Includes 4 upgraded speakers for crisper sound with minimal distortion.

**13** Trailer Hitch: Heavy-duty rated at 200 lbs. tongue weight, 2,400 lbs. towing capacity<sup>2</sup>

Security system

Front-end cover  
(full and hood)

Brush guard

Engine-block heater

Car cover

<sup>2</sup>Trailer brakes may be needed. Ball not included.

## **2005 SUBARU WARRANTIES, CUSTOMER SERVICE AND SUPPORT**

**Basic Warranty: 3 years or 36,000 miles, whichever comes first.**

**Powertrain Warranty: 5 years or 60,000 miles, whichever comes first.**

**Rust Perforation Warranty: 5 years, unlimited mileage.**


**Subaru Added Security<sup>®</sup> could be the most important option you choose. Protect your investment with a Subaru Added Security extended service contract—the only one backed by Subaru of America, Inc. Ask your salesperson for coverage details and assistance in selecting the plan that's best for you, up to 7 years or 100,000 miles.**

**The Subaru Roadside Assistance Program covers all 2005 Subaru vehicles during the first three years or 36,000 miles, whichever comes first. By calling the toll-free number in the Owner's Information Kit, Subaru owners can take advantage of any of the following benefits:**

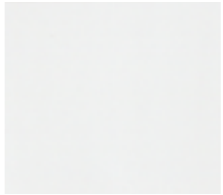
- **24-hour Roadside Assistance, seven days a week, 365 days a year, throughout the United States.**
- **Emergency Towing Service to the nearest authorized Subaru dealer.**
- **Emergency Roadside Assistance, for jump starts, gasoline (up to two gallons), flat tire change, emergency lockout service (lost key or key is locked in the vehicle) and emergency fluid replacement.**

**See your Subaru dealer for details.**

**For complete warranty information, including coverage and exclusions, see your Subaru dealer.**

**SUBARU.COM** YOU CAN BEGIN YOUR SUBARU EXPERIENCE RIGHT NOW, IN YOUR VERY OWN LIVING ROOM. GO TO **SUBARU.COM**, WHERE YOU'LL DISCOVER AN ONLINE ENVIRONMENT RICH WITH IN-DEPTH INFORMATION, REVIEWS, SPECIFICATIONS AND PHOTOGRAPHS ENCOMPASSING THE FULL LINE OF SUBARU VEHICLES. HERE YOU CAN TAKE A 360° TOUR OF ANY MODEL, BUILD YOUR OWN SUBARU, LOCATE VEHICLES, EVEN SCHEDULE A TEST DRIVE. AND AT **MY.SUBARU.COM**, SUBARU OWNERS CAN ACCESS THEIR VEHICLE'S SERVICE AND WARRANTY HISTORY, SCHEDULE APPOINTMENTS AND MUCH MORE. IT'S ALL QUICK, EASY AND JUST A MOUSE-CLICK AWAY. 

## PAINT COLORS



Aspen White



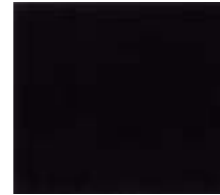
Cayenne Red Pearl



Champagne Gold Opal



Crystal Gray Metallic



Obsidian Black Pearl



Platinum Silver Metallic



Cayenne Red Pearl/  
Textured Gray



Champagne Gold Opal/  
Textured Gray



Crystal Gray Metallic/  
Textured Gray



Obsidian Black Pearl/  
Textured Gray



Platinum Silver Metallic/  
Textured Gray



Regal Blue Pearl/  
Textured Gray



Woodland Green Pearl/  
Textured Gray



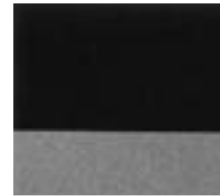
Cayenne Red Pearl/  
Steel Gray Metallic



Crystal Gray Metallic/  
Steel Gray Metallic



Obsidian Black Pearl/  
Steel Gray Metallic



Regal Blue Pearl/  
Steel Gray Metallic



Woodland Green Pearl/  
Steel Gray Metallic



Aspen White/  
Platinum Silver Metallic



Champagne Gold Opal/  
Platinum Silver Metallic

## UPHOLSTERY



Beige Tricot



Gray Tricot



Beige Moquette



Gray Moquette



Black Flat Woven Cloth



Black Leather



Beige Leather

## COLOR COMBINATIONS

Forester Models

Aspen White  
Cayenne Red Pearl  
Champagne Gold Opal  
Crystal Gray Metallic  
Obsidian Black Pearl  
Platinum Silver Metallic  
Cayenne Red Pearl/  
Textured Gray  
Champagne Gold Opal/  
Textured Gray  
Crystal Gray Metallic/  
Textured Gray  
Obsidian Black Pearl/  
Textured Gray  
Platinum Silver Metallic/  
Textured Gray  
Regal Blue Pearl/  
Textured Gray  
Woodland Green Pearl/  
Textured Gray  
Cayenne Red Pearl/  
Steel Gray Metallic  
Crystal Gray Metallic/  
Steel Gray Metallic  
Obsidian Black Pearl/  
Steel Gray Metallic  
Regal Blue Pearl/  
Steel Gray Metallic  
Woodland Green Pearl/  
Steel Gray Metallic  
Aspen White/  
Platinum Silver Metallic  
Champagne Gold Opal/  
Platinum Silver Metallic

<b>2.5 X</b>	Beige Tricot	—	—	—	—	—	—	■	■	—	■	—	—	■	—	—	—	—	—	—	—	—
	Gray Tricot	—	—	—	—	—	—	—	—	■	—	■	■	—	—	—	—	—	—	—	—	—
<b>2.5 XS and 2.5 XS with Premium Package</b>	Gray Moquette	■	—	—	■	—	■	—	—	—	—	—	—	—	—	—	—	—	—	—	—	—
	Beige Moquette	—	■	■	—	■	—	—	—	—	—	—	—	—	—	—	—	—	—	—	—	—
<b>2.5 XS L.L.Bean Edition</b>	Beige Leather	—	—	—	—	—	—	—	—	—	—	—	—	—	—	■	■	■	■	■	■	■
<b>2.5 XT</b>	Black Flat Woven Cloth	■	■	■	■	■	■	—	—	—	—	—	—	—	—	—	—	—	—	—	—	—
<b>2.5 XT with Premium Package</b>	Black Leather	■	■	■	■	■	■	—	—	—	—	—	—	—	—	—	—	—	—	—	—	—

■ Standard — Not Available

## EQUIPMENT

	Forester 2.5 X	Forester 2.5 XS	Forester 2.5 XS LL.Bean Edition	Forester 2.5 XT
<b>EXTERIOR</b>				
Multi-reflector low-beam and high-beam halogen headlights	■	■	■	■
Large multi-reflector halogen fog lights	■	■	■	■
Aluminum-alloy hood	■	■	■	—
Aluminum-alloy hood with functional hood scoop (feeds turbocharger intercooler)	—	—	—	■
Textured Gray color front and rear bumpers	■	—	—	—
Monochromatic or contrasting color painted front and rear bumpers (depending on model)	—	■	■	■
Black side mirrors	■	—	—	—
Gray painted side mirrors	—	■	■	■
Black door handles	■	■	■	—
Body-color door handles	—	—	—	■
Textured Gray color protective side cladding	■	—	—	—
Monochromatic or contrasting color painted protective side cladding (depending on model)	—	■	■	■
Heated side mirrors and windshield wipers de-icer	—	■	■	■
Two-speed windshield wipers with variable intermittent mode	■	■	■	■
Single-speed rear window wiper with fixed intermittent mode and de-icer	■	■	■	■
Black-finish raised roof rails with cross bars (150 lbs. capacity)	■	■	■	—
Aluminum-finish raised roof rails with cross bars (150 lbs. capacity)	—	—	—	■
Panoramic power sliding glass moonroof with auto-open/close feature	—	□	■	□ <sup>1</sup>

## SEATING AND TRIM

6-way manually adjustable driver's seat with manually adjustable lumbar support; 4-way manually adjustable front passenger seat	■	—	—	—
8-way power adjustable driver's seat with manually adjustable lumbar support; 4-way manually adjustable front passenger seat	—	■	■	■
Sport-design front seats	■	■	■	■
Dual-mode heated front seats	—	■	■	■
Cloth upholstery	■	■	—	■
Leather-trimmed upholstery	—	—	■	□ <sup>1</sup>
60/40-split flat-folding rear seatback	■	■	■	■
3-spoke steering wheel with manually adjustable tilt column	■	—	—	—
Perforated leather-wrapped 3-spoke steering wheel with manually adjustable tilt column	—	■	■	■
Perforated leather-wrapped shifter and parking-brake handle	—	■	■	■
Silver metallic trim on dash and console	■	■	■	■
Aluminum front door sill plates with Forester logos	—	—	—	■
Carpeted floor mats	■	■	■	■

## CONVENIENCE FEATURES

Power front and rear windows with driver's auto-down	■	■	■	■
Power mirrors	■	■	■	■
Electronically controlled cruise control	■	■	■	■
Dual cupholders in center console; dual retractable rear cupholders	■	■	■	■
Overhead console with dual maplights and sunglasses storage; sun visors with concealed vanity mirrors	■	■	■	■
Auto-dimming rearview mirror with compass	□ <sup>2</sup>	□ <sup>2</sup>	■	□ <sup>2</sup>
In-dash storage compartment and illuminated glove box	■	■	■	■
Center console with armrest and enclosed storage compartment	■	■	■	■
12-volt power outlets in center console storage compartment and cargo area	■	■	■	■
Cargo-area concealed under-floor storage bucket	■	■	■	■
Durable hard-surface cargo area	—	—	■	—
Retractable/removable cargo-area cover; 4 tie-down hooks; 2 grocery bag hooks	■	■	■	■

## INSTRUMENTATION

Analog speedometer, tachometer, coolant temperature and fuel gauges with silver trim rings and illuminated red needles on black faces with white indicators	■	■	■	■
Sport-design instrumentation with illuminated red needles on gray faces and white indicators	—	—	—	■
Digital display of odometer including dual-mode trip odometer, ambient temperature gauge and automatic transmission gear position (if equipped)	■	■	■	■
Digital clock	■	■	■	■

■ Standard □ Optional — Not available

## AUDIO SYSTEMS

	Forester 2.5 X	Forester 2.5 XS	Forester 2.5 XS L.L.Bean Edition	Forester 2.5 XT
100-watt 4-speaker audio system with Weatherband and single-disc in-dash CD player	■	—	—	—
120-watt 4-speaker audio system with Weatherband and 6-disc in-dash CD player	—	■	■	—
120-watt 7-speaker premium audio system with Weatherband, subwoofer and 6-disc in-dash CD player	—	—	—	■

## CLIMATE CONTROL

Manually adjustable CFC-free air conditioning system with air filtration system, rotary controls for temperature, 4-speed fan and airflow direction	■	—	—	—
Automatic climate control system with CFC-free air conditioning, air filtration system, rotary controls for temperature, 7-speed fan and airflow direction	—	■	■	■

## SECURITY

Keyless entry system with answer-back electronic chirp	■	■	■	■
Antitheft security system with answer-back electronic chirp	□	□	■	□
Engine immobilizer	—	—	—	■

## SAFETY

Dual-stage deployment driver and front passenger front air bags (SRS) <sup>3</sup>	■	■	■	■
Front seat-mounted head/chest side-impact airbags (SRS) <sup>3</sup>	■	■	■	■
Height-adjustable active front seat head restraints help reduce the potential for whiplash	■	■	■	■
Three individual height-adjustable rear head restraints	■	■	■	■
Height-adjustable 3-point front seatbelts with pre-tensioners and force limiters; 3-point rear seatbelts at all seating positions	■	■	■	■
Rear child safety door locks	■	■	■	■
LATCH system: Lower Anchors and Tethers for CHildren	■	■	■	■
Safety brake pedal system	■	■	■	■
Energy-absorbing collapsible steering column	■	■	■	■
Ring-Shaped Reinforcement Frame body structure with hydroformed front sub-frame structure	■	■	■	■
Daytime Running Lights (DRL)	■	■	■	■

## OPTIONAL EQUIPMENT

Antitheft security system with answer-back electronic chirp	□	□	■	□
Panoramic power sliding glass moonroof with auto-open/close feature	—	□	■	□ <sup>1</sup>
2.5 XT Premium Package: Panoramic power sliding glass moonroof with auto-open/close feature, Leather-trimmed upholstery	—	—	—	□

■ Standard □ Optional — Not available

<sup>1</sup>Included with optional Premium Package. See optional equipment listing.

<sup>2</sup>Available as an accessory. See your dealer.

<sup>3</sup>The Supplemental Restraint System (SRS) (air bags) affords the driver and the front and rear outboard passengers additional protection in moderate to severe frontal and side-impact collisions. This system provides supplemental protection only, and seatbelts must be worn in order to avoid injuries to out-of-position occupants upon bag deployment and to provide the best combined protection in a serious accident. Children should always be properly restrained in the rear seat.

2.5 XS Premium Package discontinued since printing of color combinations page.

Some images shown are for illustration purposes only. Specifications in this brochure are based on the latest product information available at the time of publication. Some equipment shown in photography in this brochure is optional at extra cost. Specific options may be available only in combination with other options. Specific combinations of equipment or features may vary from time to time and by geographic area. Certain accessories and equipment may not be available at the time of publication. Subaru of America, Inc., reserves the right to change or discontinue at any time, without notice, prices, colors, materials, equipment, accessories, specifications, models and packages without incurring any obligation to make the same or similar changes on vehicles previously sold. Colors shown may vary due to reproduction and printing processes. This brochure was prepared by Subaru of America, Inc. A warranty from Subaru of America, Inc., is available only on cars sold to the first retail purchaser through an authorized Subaru dealer in the continental U.S. or Alaska. Subaru, Subaru Boxer and Forester are registered trademarks. For more information, contact your Subaru dealer or log on to [www.subaru.com](http://www.subaru.com).



## SPECIFICATIONS

	Forester 2.5 X	Forester 2.5 XS	Forester 2.5 XS L.L.Bean® Edition	Forester 2.5 XT
--	----------------	-----------------	-----------------------------------	-----------------

### ENGINE AND DRIVETRAIN

Engine	2.5-liter SOHC aluminum-alloy 16-valve horizontally opposed 4-cylinder Subaru Boxer engine. Platinum-tipped spark plugs.		2.5-liter DOHC intercooled, turbocharged aluminum-alloy 16-valve 4-cylinder horizontally opposed Subaru Boxer engine with Active Valve Control System (AVCS). Iridium spark plugs. Sodium-filled exhaust valves.	
Power	165 hp @ 5,600 rpm		210 hp @ 5,600 rpm	
Torque	166 lb.-ft. @ 4,000 rpm		235 lb.-ft. @ 3,600 rpm	
Compression ratio	10.0:1		8.2:1	
Bore and stroke	99.5 x 79 mm		99.5 x 79 mm	
Intake system	Aluminum-alloy intake manifold.		Aluminum-alloy intake manifold. Turbocharger with intercooler. Maximum boost pressure: 11.6 psi.	
Fuel and ignition system	Sequential multi-port fuel injection. Electronic Throttle Control (ETC). Engine management with integrated self-diagnostics. Engine Control Module (ECM) with adaptive driving habits capability. Distributorless electronic ignition – 2.5 X and 2.5 XS. Direct ignition – 2.5 XT.			
Manual transmission	Standard fully synchronized 5-speed manual with Hill Holder system and clutch pedal-controlled starter interlock.	Not available.		Standard fully synchronized 5-speed manual with Hill Holder system and clutch pedal-controlled starter interlock.
Automatic transmission	Optional 4-speed electronic direct-control automatic with economy and power modes.	Standard 4-speed electronic direct-control automatic with economy and power modes.		Optional 4-speed electronic direct-control automatic with economy and power modes.
Fuel economy (city/highway)	Manual: 23/30 mpg Automatic: 22/28 mpg	Manual: N/A Automatic: 22/28 mpg		Manual: 19/24 mpg Automatic: 20/23 mpg

### SYMMETRICAL ALL-WHEEL DRIVE

Continuous All-Wheel Drive	Models equipped with 5-speed manual transmission utilize a viscous-type locking center differential with torque distribution configured at a 50/50-split front-to-rear. 2.5 XS and 2.5 XT models also feature a viscous-type limited-slip rear differential.			
Active All-Wheel Drive	Models equipped with 4-speed automatic transmission utilize an electronically controlled variable multi-plate transfer clutch to distribute power to where traction is needed. Sensors monitor parameters such as wheel slippage, throttle position and braking to help determine torque distribution to the wheels with optimum traction. 2.5 XS and 2.5 XT models also include a viscous-type limited-slip rear differential.			

### CHASSIS

Steering	Engine-speed-sensing variable power-assisted rack-and-pinion. Turns lock-to-lock: 3.0. Turning circle: 34.8 ft.			
Suspension	4-wheel independent heavy-duty raised suspension.			
	Front: Strut-type with internal rebound spring and lower L-arm. Antidive geometry. Front stabilizer bar.		Rear: Strut-type with self-leveling feature. Antilift geometry. Rear stabilizer bar.	
Brakes	Front-wheel ventilated disc, rear-wheel drum.	4-wheel disc, ventilated front.		
	4-channel, 4-sensor ABS.	4-channel, 4-sensor ABS with Electronic Brake-force Distribution (EBD).		
Brake dimensions (in.)	11.4 front/9.0 rear	11.4 front/10.3 rear		

### WHEELS AND TIRES

Wheels	16 x 6.5-inch 5-spoke styled steel.	16 x 6.5-inch 8-spoke aluminum-alloy. Silver finish.	16 x 6.5-inch 5-twin-spoke aluminum-alloy. Silver finish.	16 x 6.5-inch cross-sport 6-spoke aluminum-alloy. Silver finish.
Tires	215/60 R16 94H M+S all-season			

### DIMENSIONS

Length	175.2 in.			
Height	65.0 in. (includes roof rails and cross bars)			
Width	68.3 in.			
Wheelbase	99.4 in.			
Track (front/rear)	58.9 in./58.5 in.			
Curb weight (manual/automatic)	Forester 2.5 X: 3,090 lbs./3,135 lbs.	Forester 2.5 XS: 3,105 lbs./3,150 lbs.	Forester 2.5 XS L.L.Bean Edition: N/A/3,195 lbs.	Forester 2.5 XT: 3,225 lbs./3,270 lbs.
Coefficient of drag (cd)	0.37 (2.5 XT: 0.38)			
Ground clearance	7.5 in.			
Angle of approach	24.8°			
Breakover angle	18.7°			
Angle of departure	21.2°			
Towing capacity (Class I)	2,400 lbs.			
Headroom (front/rear)	39.8 in./39.8 in. (39.0 in./37.0 in. with moonroof)			
Legroom (front/rear)	43.6 in./33.7 in.			
Shoulder room (front/rear)	53.5 in./53.6 in.			
Cabin capacity	93.5 cu. ft. (91.2 cu. ft. with moonroof)			
Cargo capacity	32.0 cu. ft./64.1 cu. ft. with rear seat lowered (with moonroof: 29.6 cu. ft./62.7 cu. ft. with rear seat lowered)			



**SUBARU**<sup>®</sup>  
DRIVEN BY WHAT'S INSIDE.<sup>™</sup>