



Cadillac



WHEN YOU TURN YOUR CAR ON, DOES IT RETURN THE FAVOR?

Boldness threatens the periphery of brazen. Sculpted steel wraps a refined oasis. A graduate of Germany's notorious Nürburgring racetrack. A visceral materialization of vision, ardor and automotive modernity. A shining standout with a rightful place at the table of international automotive engineering. Crowned one of the 2008 *Car and Driver* 10Best, among a host of other awards, the CTS is a contemporary icon that carries the next generation of Cadillac performance sedans into the future. Introducing the 2009 Cadillac CTS. And the triumphant arrival of the all-new 2009 CTS-V.

PRESENCE 04

Exterior and interior aesthetics

PERFORMANCE 14

Engine, suspension, transmission and more

CTS-V 24

Introducing our 556 hp ground superiority fighter

EXPERIENCE 30

Comfort and convenience

PROTECTION 40

Safety and security

THE FACTS 46

Features and options, colors, warranty and more







MORE THAN A CAR, IT'S A CADILLAC.

The culmination of more than 100 years of iconic design, engineering as art and a love of innovation, the award-winning CTS defines what a performance sedan should be. With available highlights like:

A 304 HP 3.6L DIRECT INJECTION V6, THE MOST POWERFUL V6 ENGINE EVER TO BEAR THE CADILLAC CREST.
ALL-WHEEL DRIVE TO ENHANCE PERFORMANCE IN VARIOUS CONDITIONS.

A 40-GIG INTERNAL HARD-DRIVE THAT CAN KEEP THOUSANDS OF SONGS AT YOUR FINGERTIPS.

A BOSE® 5.1 CABIN SURROUND® SOUND SYSTEM THAT IMMERSSES YOU WITH 360° CUSTOMIZED SOUND.

ADAPTIVE FORWARD LIGHTING, WHICH STEERS HEADLAMPS TO HELP YOU SEE POTENTIAL OBSTACLES FASTER.

THE ALL-NEW 556 HP CTS-V, THE LATEST ITERATION OF OUR RENOWNED HIGH-PERFORMANCE V-SERIES.

CADILLAC OWNER PRIVILEGES¹, INCLUDING THE CONVENIENCE AND SAFETY FEATURES OF ONSTAR,²
THE CADILLAC OWNER CENTER AND THE BEST LUXURY COVERAGE IN THE INDUSTRY.

Cadillac offers the Best Luxury Coverage in the Industry with the Cadillac 100,000-Mile/5-Year Transferable Powertrain Limited Warranty³ with no deductible plus Roadside Assistance³ and Courtesy Transportation³.

¹ Please see the back of this catalog and cadillac.com for more information on Cadillac Owner Privileges.

² Call 1 888 4ONSTAR (466 7827) or visit onstar.com. See the back of this catalog for details and system limitations. OnStar acts as a link to existing emergency services.

³ Whichever comes first, see dealer for details.





PRESENCE

Muscular fender flares made possible by a 62-inch wide track. The indulgence of expert hand-craftsmanship and cut-and-sewn interior features. And angular body lines reminiscent of a bird of prey. The Cadillac CTS leaves no doubt as to its performance intent.



THE FUTURE CALLED. IT WANTS ITS RIDE BACK.

With the crouching, grounded stance of a stalking cat, the Cadillac CTS makes no attempt to hide the intent of its performance-oriented engineering. It looks fast. It looks hungry. And it looks like it can handle anything that comes its way.

At 62 inches, the CTS has one of the widest tracks in its class, allowing for dramatic fender flares and an aggressive silhouette. In conjunction with extremely tight panel gaps over the entire body, the roofline of the CTS utilizes the latest advancement in exterior engineering, laser brazing. One of the few production cars to employ it, laser brazing eliminates ditch joints, the rubber seals separating the top of the roof from the edges of the roof on most cars. On the CTS, these roof sections are fused together, creating a clean, uninterrupted silhouette. This combination of tight gaps and a laser-brazed roof grant the entire vehicle a tight, tailored appearance and improve torsional rigidity.

Wheels tucked snug to the fender wells add to the low-slung, road-hugging look of the car, while fully functional, chrome front-fender-mounted air extractor vents again telegraph that the CTS is an authentic performance sedan.

THOU SHALT COVET.

Standout headlamp jewelry is a modern must. And the vertically stacked headlamps of the CTS are a work of art. Available integrated LED piping frames the projector-style, available Xenon bulbs and amber turn-signal indicators, each comprised of eight individual glass tiles.

Adaptive Forward Lighting is also available on the CTS. Turning with the steering wheel, the headlamps can articulate up to 15° outwardly and 5° inwardly in tandem for a smooth and natural illumination of the upcoming road.

Even under the hood, an aesthetic harmony between component colors, grained surface textures and engine layout has been rigidly adhered to.









WISH YOU WERE HERE.

Designed to be a truly exceptional interior. With standards set to exceed our strongest competitors. Every detail within the CTS cabin has been meticulously crafted. World-class was the target. There was no plan B.

As a result of an arduous process, unwavering standards and a tenacious engineering and design team, inside the CTS you will be pampered by supple surfaces that have been cut, sewn and wrapped by master craftsmen. This is the same fastidious process used to design the interiors of the limited-production V-Series and Platinum models. You will also discover decorative French-stitched seams, comparable to those found on the highest-quality furniture. On the front seats you'll even find a chevron-shaped chrome design element borrowed from one of Cadillac's heritage logos.

Available Sapele wood trim, chrome accents and metallic finishes add a polished presence throughout the cabin. And the striking dashboard sweeps outward from the center stack and away from passengers, creating a feeling and a reality of ample space.

Motorcycle-inspired, high-performance gauges on the instrument panel, a sporty, aggressively styled steering wheel and a well-placed 6-speed manual gearshift complete the look of the cockpit.



HOW A CAR IS MADE HAS A DIRECT EFFECT ON HOW IT FEELS TO DRIVE IT. LIKE A WELL-TAILORED SUIT, A WELL-CRAFTED, PERFORMANCE-ENGINEERED CAR IMPARTS A SENSE OF CONFIDENCE THAT SHOWS.



PERFORMANCE

The most powerful V6¹ ever to bear the Cadillac emblem. The exhilaration of a 6-speed manual. And your choice of three performance-engineered suspension systems, two of which even tested their mettle on Germany's ferocious Nürburgring circuit. The Cadillac CTS is designed for those who love luxury, yes, but also for those who love to drive.





THE METICULOUSLY ENGINEERED DIRECT INJECTION V6¹ ENGINE AFFORDS BOTH POWER AND IMPRESSIVE ACCELERATION. FUEL IS INJECTED DIRECTLY INTO THE COMBUSTION CHAMBER OF EACH CYLINDER, RESULTING IN BETTER FUEL EFFICIENCY² AND AN EXHILARATING 304 HP.

¹ With available 3.6L Direct Injection engine.

² EPA estimated MPG of 17 city/26 highway (automatic), 16 city/25 highway (manual).





TIME TO TAKE NAMES.

The Cadillac CTS offers two fire-breathing power plants to choose from.

The first, deemed “One of the 10 Best Engines of the Year” by Ward’s, is a powerful V6 that can realize 0 to 60 mph in less than 6 seconds. An all-out behemoth capable of generating 304 hp and 273 lb-ft of torque, the available 3.6L Direct Injection V6 with Variable Valve Timing (VVT) produces more power than a conventional V6 without sacrificing any fuel economy.¹ And does so while maintaining a 30% reduction in cold-start hydrocarbon emissions, a major contributor to smog. Unlike many direct-injection engines, it’s fully designed to run on regular unleaded gasoline, to your financial benefit. The second engine, offered as standard equipment on the CTS, is a 263 hp 3.6L VVT V6 with plenty of punch as well, and the ability to lay down 253 lb-ft of torque.

Both CTS engines employ advanced VVT engineering, which based on engine speed and load, adjusts your intake and exhaust timing on the fly. By controlling fuel injection and combustion efficiency, there’s no compromise between low-speed torque and pedal-down, high-speed performance. In fact, both engines will give you maximum pull throughout the power band, right on up to the redline.

A drive-by-wire Electronic Throttle Control on both engines replaces the mechanical linkage between accelerator and engine throttle with electronic controls and produces a smooth, gentle throttle response at low speeds. At highway speeds, it responds rapidly to pressure on the pedal. And Mobil 1[®] with SuperSyn™ technology 5W-30 delivers outstanding engine protection, even under the most severe conditions.



¹ EPA estimated MPG of 17 city/26 highway (automatic), 16 city/25 highway (manual).

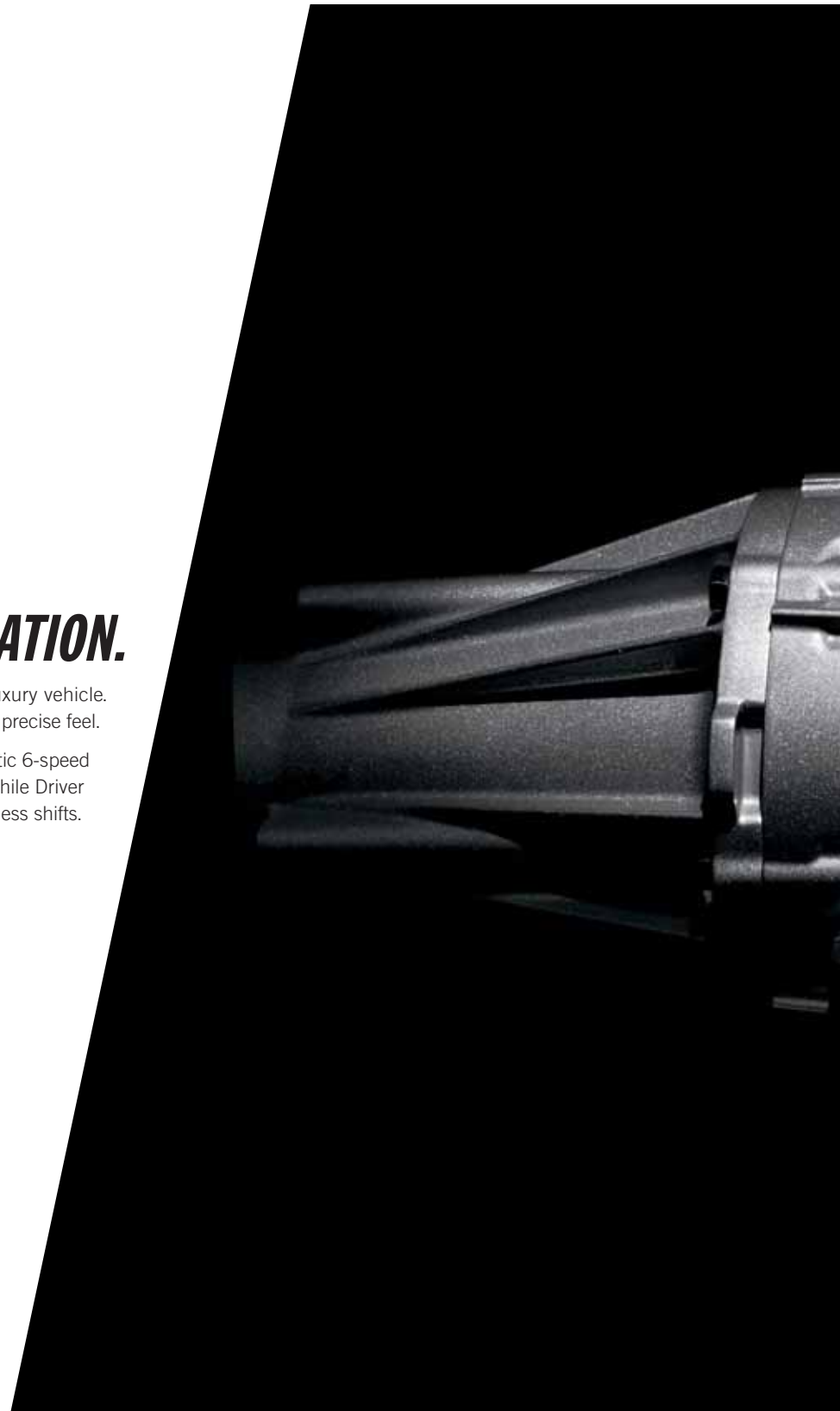
SIX DEGREES OF ACCELERATION.

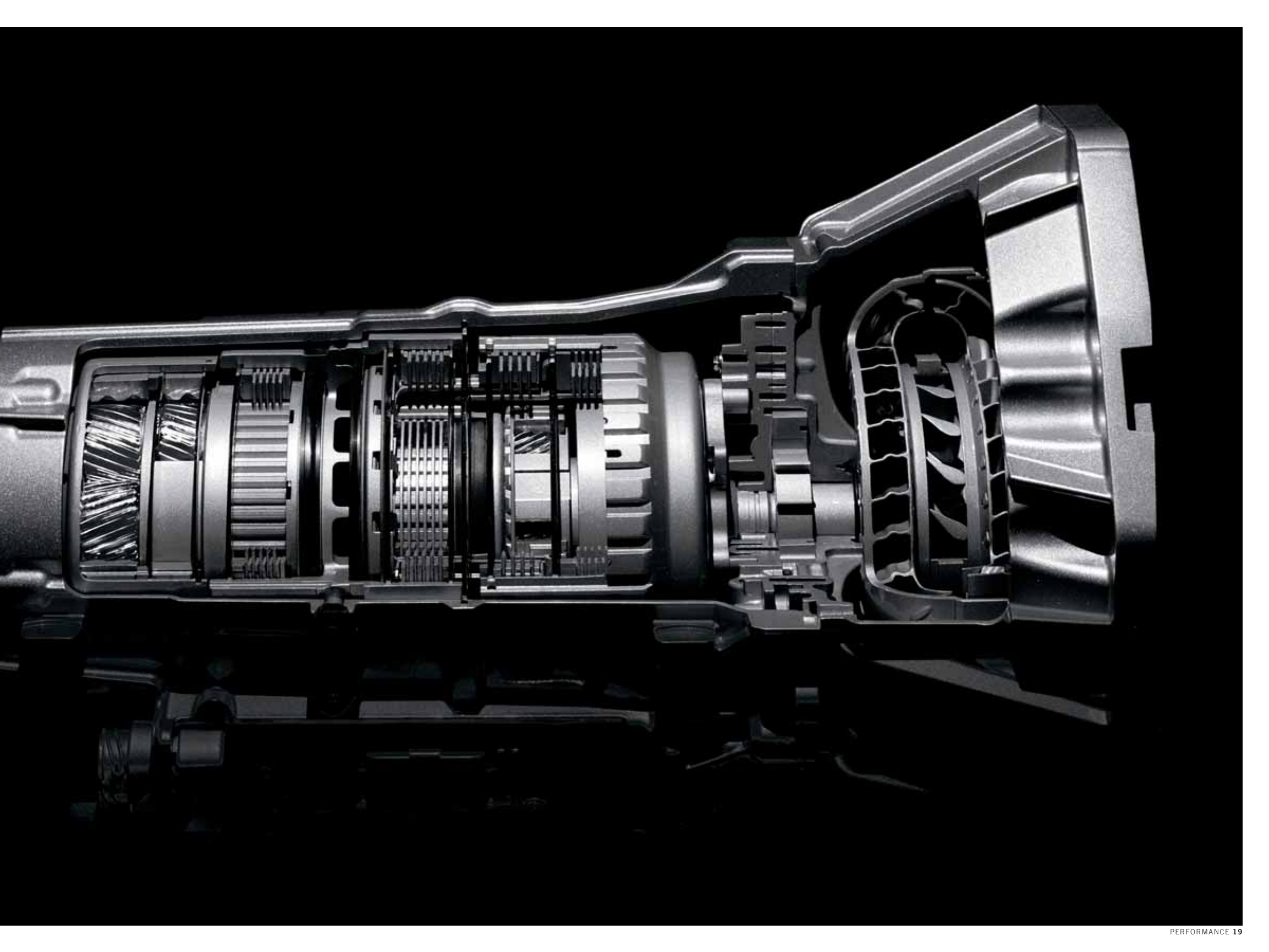
The inclusion of a 6-speed manual transmission helps to emphasize the “performance” aspect of any performance-luxury vehicle.

The CTS does just this with the Aisin AY6, a 6-speed manual known for its short shift throws and precise feel.

With the luxury of choice being part of the Cadillac pedigree, the CTS offers an alternative as well. The available Hydra-Matic 6-speed automatic transmission is one of the most sophisticated in the world. Tall overdrive ratios allow for fuel-efficient¹ cruising, while Driver

Shift Control offers a manual feel with lightning-quick, silky smooth, clutchless shifts.





WITH ITS CHISELED ANGLES AND CAREFULLY CONSIDERED DETAILS,
THE CADILLAC CTS OFFERS A DRIVING EXPERIENCE THAT TRANSPORTS
YOU IN MORE WAYS THAN ONE.





GRADED ON A RED AND WHITE CHECKERED CURVE.

The available performance suspension of the Cadillac CTS has been tested and tuned on some of the most challenging stretches of asphalt in the world. Not the least of which was Germany's famed Autobahn, but perhaps more importantly, that country's legendary Nürburgring. A racetrack so formidable that following a famous crash in 1976, Formula 1™ deemed it too dangerous to race again. Based on the results from such rigorous testing, the suspension of the CTS has been refined to some of the highest driving standards in the world.

A fully independent multi-link suspension system reduces body roll for flat, controlled cornering, without sacrificing performance. A short-arm/long-arm front suspension minimizes the effect of road disturbances. The multi-link rear suspension unit's long travel and precise geometry translate into dynamic handling. And with an optional performance-oriented braking system, controlled deceleration will be as easy as acceleration, giving you the confidence to take advantage of all the power at hand.

Rounding out this class-A performance profile are all-season Michelin® Pilot® MXM4® and available Michelin Pilot® Sport PS2™ summer-only performance tires, which were developed in conjunction with CTS engineers to provide custom-fit rubber that inspires driver confidence across a wide variety of driving states.

LOVES THE ROAD UNCONDITIONALLY.

Another hallmark of modern performance luxury is the option of all-wheel drive. For performance and more traction in various road conditions, more control when cornering and faster acceleration, all-wheel drive is the configuration of choice for the serious motorist.

The all-wheel drive system available in the CTS uses an electronically controlled active transfer case with a 25/75 rear bias. This infinitely variable system is capable of transferring up to 100% of available torque to the front wheels if necessary. And the torque delivery speed is within a fraction of a second.





THE AVAILABLE ALL-WHEEL DRIVE SYSTEM CAN APPLY INFINITELY VARIABLE TORQUE TO THE FRONT OR REAR WHEELS WHEN NEEDED, MAXIMIZING TRACTION AND SAFETY.

THE 2009 CADILLAC CTS-V

Building on the high-performance legacy of our renowned V-Series, the all-new 556 hp CTS-V is the latest entry into the elite strata of automotive engineering that is made up of the fastest V8 production sedans in the world. Tuned on Germany's merciless Nürburgring, the CTS-V has been precisely engineered to shatter any outdated perceptions of American muscle.



THE ALL-NEW CTS-V CAN DO 0-60 MPH
IN A BLINDING 3.9 SECONDS.



FOLLOW THE VAPOR TRAIL.

A staggering 556 horsepower. 551 lb-ft of torque. Zero to 60 in 3.9 seconds, tempered with the massive stopping power of vented and slotted Brembo brakes with co-cast rotors. A chassis developed on the world's most challenging test tracks. An available 6-speed Hydra-Matic electronically controlled automatic transmission with steering wheel-mounted trigger shifters. And a no-fat exterior that telegraphs speed and refinement from every angle.

Add to all of that the next-generation, dual-mode Magnetic Ride Control (MRC), one of the world's fastest reacting suspension systems, and the result is a distinctive sport sedan that does exactly what you want it to, when you want it to. Which, in almost every case, will be to excite your senses to the core.









AN INSIDE JOB.

True performance design doesn't end under the hood. Perforated sueded-fabric seat inserts and soft microfiber appointments on the steering wheel and shifter keep you firmly planted during high-performance driving. Unique LED tracers circle the tachometer and flash as you approach redline. And 14-way adjustable Recaro performance driving seats are available with pneumatic bolster controls and a manually actuated thigh extender. Add to this obsidian black face-plates in the center stack, aluminum pedals and all the high-tech indulgence that comes in every CTS, and the result is an elite sports car with the kind of sophistication and poise one would expect of a vehicle that is the fastest V8 production sedan in the world.







EXPERIENCE

Technological innovations—such as an available 40-gig hard-drive—that reveal a focus on modern compatibility. Unique “thin-seat” technology for maximum comfort and legroom. And an available Bose® custom-designed 10-speaker 5.1 Cabin Surround® Sound System so you won’t miss a beat.

EXCEPTIONAL. WITHOUT EXCEPTION.

It's the details that make a car a Cadillac.

Streamlined and supportive front seats use "thin-seat" technology, adding extra inches of legroom to backseat passengers. Available two-way power lumbar support on the front seats provides excellent support during hard cornering and outstanding comfort on longer distances. An available two-driver memory system keeps seat, steering wheel and mirror settings in mind, as well as audio and climate control preferences.

Eight-way power driver-seat adjustment helps you find an ideal driving position. Heated and ventilated front seats are available to keep you in your comfort zone in hot and cold weather alike. The center stack is subtly canted toward the driver, and its integrated Driver Information Center screen is mounted high for effortless viewing. And an available power rake and telescoping steering column features integrated cruise control and audio controls on the leather-wrapped wheel.

When parking, available Ultrasonic Rear Parking Assist alerts you when certain objects are behind the vehicle. Four integrated sensors send out ultrasonic waves when the CTS is driven in reverse. And if certain objects are detected behind you, the CTS will notify you audibly and visibly.

The optional Keyless Access enables passive vehicle and trunk entry, as well as keyless ignition via a personalized keyless fob. With the fob in your pocket, purse, or hand, no key is necessary to unlock the vehicle—simply approach your CTS and pull the handle to open it. The available Smart Remote Start system gets the engine started from as far as 200 feet away. If temperatures call for it, it will also activate the climate control system and the optional heated seats so the cabin is to your liking when you arrive.









LIGHTEN UP.

When you drive a Cadillac, you'll notice that there's always a way to heighten the experience built right in. The CTS delivers on this in true Cadillac style.

For an open-air experience, little compares to the available UltraView "double" sunroof of the Cadillac CTS, one of the largest of its kind in a sedan. With it, almost 70% of the roof lets light in for the enjoyment of both first- and second-row occupants. And an Express Open button makes sure one touch is all it takes. The UltraView also features UV-protected glass, power tilt and index sliding. A retractable power interior shade is at your disposal for times when you prefer softer light.

The feeling of the cabin can only be fully realized with available ambient interior lighting. At night the true beauty of the CTS interior comes to life with recessed LED lighting, giving illumination to key areas like front footwells, door pulls, the gearshift and the instrument panel. The ambient light casts trophy case-style spots on vital areas like the center console, to breathtaking effect.

FASHIONABLY LATE WILL BE A BIT OF A CHALLENGE.

Integrated with your hard-drive, the available navigation system¹ in the CTS boasts the largest telescoping screen in its class. Rising out of the dash, the 8-inch diagonal screen responds to voice commands as well as touch, and conducts its route calculations 30 percent faster than previous nav systems. When the screen is down, it displays all the radio information you need. And with innovation always preferable to imitation, XM NavTraffic^{®2}—available with the optional navigation system—is a satellite-delivered traffic information service that has the ability to show real-time traffic data. With XM NavTraffic you will see traffic impacting incidents such as construction, road closures, accidents and disabled vehicles.

Since a true measure of luxury is personal service, the CTS delivers with OnStar,³ standard with one-year service. One touch of a button puts you in touch with an OnStar advisor who can provide directions, unlock your doors⁴ or provide vehicle diagnostics on the fly. OnStar's standard one-year Directions & Connections plan includes Turn-by-Turn Navigation⁵ as you drive. Simply press the blue OnStar button on your rearview mirror and tell the advisor your destination. The route will be downloaded to your vehicle and an automated voice will guide you through every turn until you arrive at your destination. Your OnStar Advisor can also perform any number of convenience services, from making dinner reservations to sending flowers.

OnStar Turn-By-Turn Navigation, the simplest and smartest navigation system, is now enhanced with class-exclusive eNav⁶ and Destination Download⁷. eNav allows you to send MapQuest[®] directions directly to your vehicle. Find directions to your destination on MapQuest.com and send them to your CTS with only a few clicks. Once in the vehicle, simply retrieve the directions whenever you need them. With Destination Download, you can enter your destination while you're on the move by pushing your OnStar button and telling an Advisor where you would like to go. OnStar will then send the destination directly to your navigation system, which will direct you there.

Available Bluetooth[®] for phone integrates hands-free capability for your personal mobile phone. Activated by a steering wheel button and voice recognition, Bluetooth allows you to place and receive calls, as well as see dialed and received phone numbers on the radio screen and Driver Information Center.



¹ Map coverage not available in Puerto Rico.

² Required XM Radio and NavTraffic monthly subscriptions sold separately after trial period. XM NavTraffic available only in select markets. For more information, see www.xmnavtraffic.com.

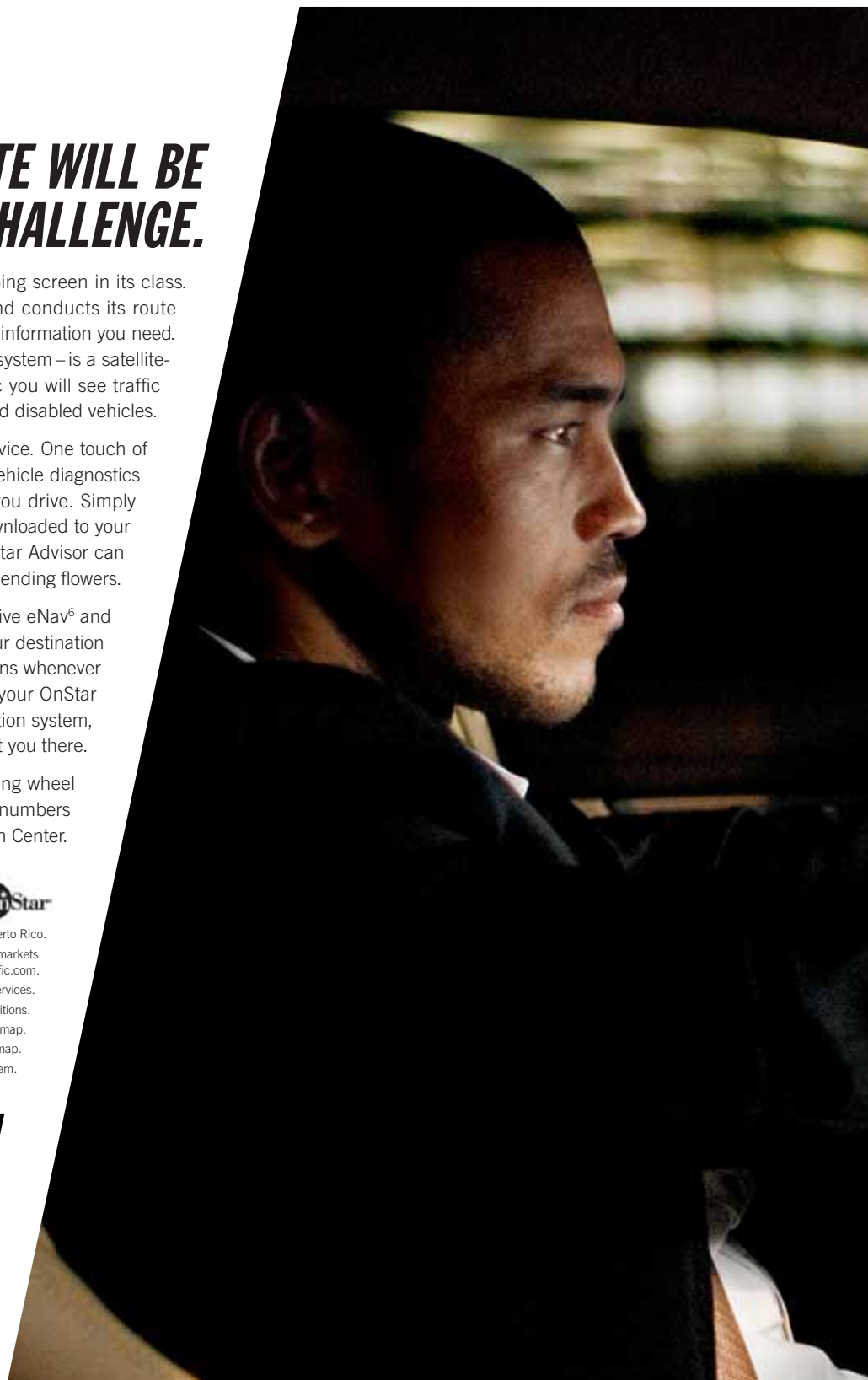
³ Call 1 888 4ONSTAR (466 7827) or visit onstar.com. See the back of this catalog for details and system limitations. OnStar acts as a link to existing emergency services.

⁴ Remote Door Unlock success varies with conditions.

⁵ Requires Directions & Connections Plan. Not available in certain areas. Visit onstar.com for coverage map.

⁶ Requires Directions & Connections Plan. Not available in certain areas and with Verizon Wireless Nationwide plan with OnStar. Visit onstar.com for coverage map.

⁷ Requires Directions & Connections Plan and compatible navigation system.



AVAILABLE BLUETOOTH® FOR PHONE GIVES YOU THE
CONVENIENCE OF HANDS-FREE CELL PHONE CAPABILITY.





WHAT AMBITION SOUNDS LIKE.

Another signature technological feature comes in the form of an available 40-gigabyte hard-drive¹ media system. Store your favorite music so you have what you want when you want it in your CTS. Designed specifically for seamless integration with the iPod,² the center console jacks enable playlists to appear on the car's radio display through conveniently located USB and auxiliary audio jacks. This allows easy access to your stored music on-screen with integrated controls on the steering wheel.

Your CTS is also available with a Bose® 5.1 Cabin Surround® Sound system. This system offers 10 speakers and trademark Bose® audio expertise to give you immersive concert-quality sound. Centerpoint® technology makes the two-channel audio sound rich in tone and arrangement. Of course, because it's a Cadillac, the standard audio system of the CTS is Bose® as well, and features eight speakers delivering premium acoustic output.

Further, an available 6-disc changer keeps the music coming. XM Radio³—standard with a three-month trial—features the best in music, news, sports, talk, comedy and XM Instant Traffic & Weather. An industry-first “pause and play” feature actually allows you to pause and rewind live AM, FM or XM audio broadcasts.

A wealth of noise-reduction features creates an ideal listening environment inside the cabin of the Cadillac CTS. Triple door seals, an insulated engine and sound-reducing steel in the dash give the interior of the CTS a library-like hush. And an acoustically tuned tailpipe reduces the ability of naturally-occurring, high-frequency sounds to penetrate into the passenger compartment, leaving you with the low, throaty growl that characterizes a true performance sedan.



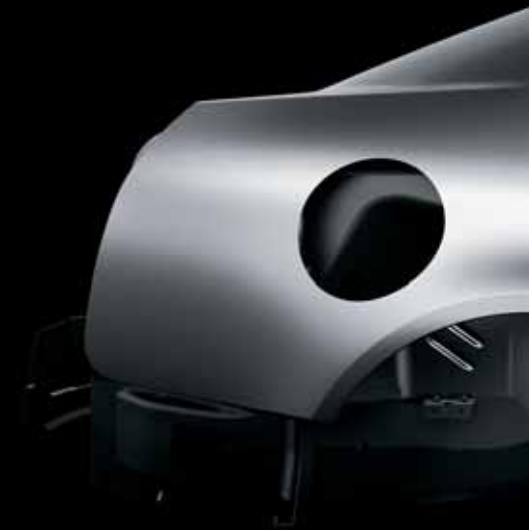
¹ When equipped with optional navigation system, approximately 10GB available for music storage.

² iPod is a registered trademark of Apple, Inc. All rights reserved.

³ XM service available only in the 48 contiguous United States. Required \$12.95 monthly subscription sold separately after three trial months. Visit gm.xmradio.com for more details. The XM name is a registered trademark of XM Satellite Radio Inc. © 2008 XM Satellite Radio Inc. All rights reserved. All other trademarks are the property of their respective owners.

PROTECTION

StabiliTrak electronic stability control system. A strong unit body incorporating high-strength steel.
And the Best Luxury Coverage in the Industry.



Cadillac offers the Best Luxury Coverage in the Industry with the Cadillac 100,000-Mile/5-Year Transferable Powertrain Limited Warranty¹ with no deductible plus Roadside Assistance¹ and Courtesy Transportation¹

¹ Whichever comes first, see dealer for details.



THE CTS SURROUNDS ITS OCCUPANTS WITH A STRONG BUT LIGHTWEIGHT BODY STRUCTURE, DOORS THAT ARE BRACED WITH ULTRA-STRONG STEEL BEAMS AND FRONT AND REAR CRUMPLE ZONES.





THE ONLY PLACE WHERE WE PLAY IT SAFE.

Of course, the ultimate luxury is passenger safety. So it's needless to say that this aspect of the CTS has been scrutinized with utmost care.

The CTS has a host of features that do their best to help prevent you from getting into a collision in the first place. StabiliTrak, an electronic stability control system, compares driver steering input with vehicle response and helps you maintain control by quickly applying the ABS brakes to any wheel that begins to slip and in extreme situations can even modulate engine power, if necessary.

The available Rainsense wiper system detects moisture on the windshield and automatically optimizes the cadence of the blades to the level of precipitation at the moment. With the available heated windshield washer fluid, a push of a button on the instrument panel quickly superheats the washer fluid to approximately 140 degrees Fahrenheit, making quick work of tree sap, insect residue, frost or light ice buildup.

For additional peace of mind, a tire pressure monitor system uses a sensor in each tire to constantly monitor air psi.¹ Should there be a drop in pressure, you will receive an alert via the Driver Information Center.

¹ If equipped, does not apply to spare tire.

SOME FEATURES WE HOPE YOU NEVER USE.

The safety considerations of any Cadillac cannot stop with preventative measures. Should a collision occur, the CTS itself is the first line of defense. A strong unit body construction with strategically engineered crumple zones surrounds you. Both front and rear zones help absorb impact forces, and a comprehensive use of high-strength steel directs energy away from passengers in the event of an impact.

In 1928, Cadillac became the first automaker to incorporate safety glass in all windows. The CTS proudly carries on this legacy of safety. Featuring the segment's first passenger-side dual-depth air-bag¹ system, the CTS includes six standard air bags: dual-stage frontal air bags¹ and seat-mounted side air bags¹ for the driver and front passenger, and two head curtain, side-impact air bags¹ mounted at the top of the roof rail to protect both front and outboard rear passengers in the event of a side impact.

Should the air bags deploy, OnStar,² standard with one-year service, can automatically attempt to contact you in your vehicle. If there is no response, emergency personnel will automatically be contacted. If you're involved in a collision that does not involve air bag deployment, your vehicle can automatically send a signal to OnStar, and a trained Advisor will contact nearby emergency service providers for you.

¹ Always use safety belts and the correct child restraint for your child's age and size, even in vehicles with air bags. Even in vehicles equipped with Passenger Sensing System, children are safer when properly secured in the rear seat, in an appropriate infant, child or booster seat. Never place a rear-facing infant restraint in the front seat of any vehicle equipped with an active frontal air bag. See the vehicle Owner's Manual and child safety seat instructions for more safety information.

² Visit onstar.com or call 1 888 4ONSTAR (466 7827) for details and system limitations. OnStar acts as a link to existing emergency service providers.





THE CTS SEAT POSITIONING SYSTEM ANALYZES OCCUPANT SEAT POSITION AND CRASH SEVERITY TO HELP DETERMINE THE LEVEL OF AIR BAG DEPLOYMENT REQUIRED. DUAL-DEPTH AIR BAGS ADJUST THE DEPTH OF THE AIR BAGS WHEN THE SYSTEM DETECTS A SMALL ADULT IN THE FRONT SEAT.

Air bag inflation can cause severe injury or death to anyone too close to the bag when it deploys. Be sure every occupant is properly restrained.





THE FACTS

Colors and specs. Collections and packages. Roadside Assistance, warranties and more.

CTS COLLECTIONS, FEATURES AND OPTIONS

LUXURY COLLECTION

INCLUDES ALL STANDARD FEATURES PLUS:

AUDIO SYSTEM In-dash 6-disc CD changer with AM/FM/RDS¹/MP3 and 8-speaker Bose® Sound System

BLUETOOTH® FOR PHONE INTERFACE

Hands-free calling for personal, portable cell phones

CARGO NET

HEATED WINDSHIELD WASHER FLUID

Aids defrosting, cleaning sap and insect residue

LIGHTING, INTERIOR AMBIENT LED spotlights with lighting pipes

SEATING Leather seating surfaces with 10-way power passenger seat, 2-way power driver and front passenger lumbar control, memory package with presets for 2 drivers and heated front seats

THEFT DETERRENT SYSTEM PASS-Key III+ immobilizer; audible content theft deterrent system

UNIVERSAL HOME REMOTE 3-channel programmable

WHEELS 17" cast aluminum wheels with machined bright finish

WIPERS Automatic Rainsense wipers with moisture detection

ENHANCE YOUR CTS LUXURY COLLECTION WITH THESE OPTIONS:

ALL-WHEEL DRIVE

BOSE® 5.1 CABIN SURROUND® SOUND SYSTEM 10-speaker system; hard-drive device; AM/FM/RDS¹/MP3/DVD with USB audio connectivity and steering wheel controls

ENGINE BLOCK HEATER

NAVIGATION² Including hard-drive device; Bose® 5.1 Cabin Surround® Sound System, 8" diagonal pop-up touch screen with voice and text guidance; limited detail routing

POWERTRAIN 6-speed automatic transmission

TIRE, COMPACT SPARE Replaces standard inflator kit. Vehicle does not include traditional compact spare

ULTRAVIEW SUNROOF Power, tilt-sliding, electric with express-open, and power sunshade

WOOD TRIM I Sapele wood trim on instrument panel, center console and door trim

WOOD TRIM II Sapele wood trim on steering wheel and shift knob (requires purchase of Wood Trim I package)

PERFORMANCE COLLECTION

INCLUDES ALL STANDARD FEATURES PLUS:

BLUETOOTH® FOR PHONE INTERFACE

Hands-free calling for personal, portable cell phones

CARGO NET

HEATED WINDSHIELD WASHER FLUID

Aids defrosting, cleaning sap and insect residue

LIGHTING, HEADLAMPS Xenon High-Intensity Discharge (HID) with headlamp washers and Adaptive Forward Lighting; front fog lamps

LIMITED-SLIP DIFFERENTIAL

SEATING Leather seating surfaces with 10-way power passenger seat, 2-way power driver and front passenger lumbar control, memory package with presets for 2 drivers and heated front seats

SUSPENSION Sport Performance Suspension System

UNIVERSAL HOME REMOTE 3-channel programmable

WHEELS/TIRES 18" aluminum wheels with premium painted finish and 18" all-season tires

ENHANCE YOUR CTS PERFORMANCE COLLECTION WITH THESE OPTIONS:

ALL-WHEEL DRIVE

BOSE® 5.1 CABIN SURROUND® SOUND SYSTEM 10-speaker system; hard-drive device; AM/FM/RDS¹/MP3/DVD with USB audio connectivity and steering wheel controls

ENGINE BLOCK HEATER

NAVIGATION² Including hard-drive device; Bose® 5.1 Cabin Surround® Sound System, 8" diagonal pop-up touch screen with voice and text guidance; limited detail routing

POWERTRAIN 6-speed automatic transmission

TIRE, COMPACT SPARE Replaces standard inflator kit. Vehicle does not include traditional compact spare

ULTRAVIEW SUNROOF Power, tilt-sliding, electric with express-open, and power sunshade

WHEELS 18" aluminum wheels with high-polished finish

WOOD TRIM I Sapele wood trim on instrument panel, center console and door trim

WOOD TRIM II Sapele wood trim on steering wheel and shift knob (requires purchase of Wood Trim I package)

18" SUMMER TIRE PERFORMANCE PACKAGE

(Not available with all-wheel drive. Only available on 3.6L V6 Direct Injection model)

BRAKES 18" performance brake system

PERFORMANCE COOLING SYSTEM (Only available with automatic transmission)

WHEELS/TIRES 18" aluminum wheels with high-polished finish and 18" performance summer tires (replaces 18" all-season tires)

PERFORMANCE LUXURY PACKAGE

AUDIO SYSTEM In-dash 6-disc CD changer with AM/FM/RDS¹/MP3 and 8-speaker Bose® Sound System

KEYLESS ACCESS/SMART REMOTE START Keyless access system with Smart Remote Start that will activate heated seats, climate control system and defroster (Smart Remote Start not available with six-speed manual transmission)

LIGHTING, INTERIOR AMBIENT LED spotlights with lighting pipes

SEATING Heated/ventilated driver and front passenger seats; split folding rear seating

STEERING COLUMN Power rake and telescopic

THEFT DETERRENT SYSTEM PASS-Key III+ immobilizer; audible content theft deterrent system

ULTRASONIC REAR PARKING ASSIST With LED indicator and audible warning

WIPERS Automatic Rainsense wipers with moisture detection

PREMIUM COLLECTION

INCLUDES ALL STANDARD FEATURES PLUS:

AUDIO SYSTEM In-dash 6-disc CD changer with AM/FM/RDS¹/MP3 and 8-speaker Bose® Sound System

BLUETOOTH® FOR PHONE INTERFACE

Hands-free calling for personal, portable cell phones

CARGO NET

HEATED WINDSHIELD WASHER FLUID

Aids defrosting, cleaning sap and insect residue

KEYLESS ACCESS/SMART REMOTE START

Keyless access system with Smart Remote Start that will activate heated seats, climate control system and defroster (Smart Remote Start not available with six-speed manual transmission)

LIGHTING, INTERIOR AMBIENT LED spotlights with lighting pipes

LIGHTING, HEADLAMPS Xenon High-Intensity Discharge (HID) with headlamp washers and Adaptive Forward Lighting; front fog lamps

LIMITED-SLIP DIFFERENTIAL

NAVIGATION² Including hard-drive device; Bose® 5.1 Cabin Surround® Sound System, 8" diagonal pop-up touch screen with voice and text guidance; limited detail routing

SEATING Leather seating surfaces with 10-way power passenger seat, 2-way power driver and front passenger lumbar control, memory package with presets for 2 drivers, heated/ventilated driver and front passenger seats; split folding rear seating

STEERING COLUMN Power rake and telescopic

SUSPENSION Sport Performance Suspension System

THEFT DETERRENT SYSTEM PASS-Key III+ immobilizer; audible content theft deterrent system

ULTRASONIC REAR PARKING ASSIST With LED indicator and audible warning

ULTRAVIEW SUNROOF

Power, tilt-sliding, electric with express-open, and power sunshade

UNIVERSAL HOME REMOTE 3-channel programmable

WHEELS/TIRES 18" aluminum wheels with premium painted finish and 18" all-season tires

WIPERS Automatic Rainsense wipers with moisture detection

WOOD TRIM I Sapele wood trim on instrument panel, center console and door trim

WOOD TRIM II Sapele wood trim on steering wheel and shift knob

ENHANCE YOUR CTS PREMIUM COLLECTION WITH THESE OPTIONS:

ALL-WHEEL DRIVE

ENGINE BLOCK HEATER

POWERTRAIN 6-speed automatic transmission

TIRE, COMPACT SPARE Replaces standard inflator kit. Vehicle does not include traditional compact spare

WHEELS 18" aluminum wheels with high-polished finish

18" SUMMER TIRE PERFORMANCE PACKAGE

(Not available with all-wheel drive. Only available on 3.6L V6 Direct Injection model)

BRAKES 18" performance brake system

PERFORMANCE COOLING SYSTEM (Only available with automatic transmission)

WHEELS/TIRES 18" aluminum wheels with high-polished finish and 18" performance summer tires (replaces 18" all-season tires)

CTS MODELS

CTS 3.6L Featuring the 3.6L V6 VVT engine with 263 horsepower @ 6200 rpm and 253 lb-ft of torque @ 3100

CTS 3.6L DIRECT INJECTION Featuring the 3.6L Direct Injection V6 engine with 304 horsepower @ 6400 rpm and 273 lb-ft of torque @ 5200 rpm

DRIVETRAIN

Rear-wheel drive; Manual 6-speed transmission with mechanical shift linkage

CHASSIS & SUSPENSION

SUSPENSION 4-wheel independent design that utilizes a short/long arm, coil-over strut with anti-sway bar in front, and an independent, modified multi-link with anti-sway bar in the rear; both benefit from coil-over monotube dampers

BRAKES 4-wheel disc brakes with anti-lock system, electronic parking brake

STEERING ZF Servotronic¹ II power rack-and-pinion

TRACTION CONTROL All-speed traction control with brake and engine intervention

STANDARD EXTERIOR FEATURES

LIGHTS Daytime running lamps with Twilight Sentinel automatic operations, projector beam tungsten-halogen headlamps with flash-to-pass and windshield wiper activation, illuminated entry and LED taillamps

MIRRORS Driver and passenger, heated, power adjustable and folding

POLISHED EXHAUST TIPS

TIRE PRESSURE MONITOR SYSTEM

TIRES P235/55R17, all-season performance

TRUNK Power lid release and convenience net

WHEELS 17" x 8" painted aluminum alloy

WIPERS Intermittent, front

STANDARD INTERIOR FEATURES

AIR BAGS Driver and front passenger front-impact;² Passenger Sensing System; driver and front passenger seat-mounted side-impact;² front-to-rear head-curtain side-impact air bags²

ARMREST CENTER FRONT AND REAR

AUDIO SYSTEM AM/FM stereo, single-slot CD player with 8-speaker Bose® Sound System, MP3 player and Radio Data System³

CLIMATE CONTROL Dual-zone automatic electronic climate control with individual settings for driver and front passenger; outboard outlets adjustable for additional side-window defogging; electronic rear-window defogger

CONSOLE Front center floor console with shifter, integral armrest, storage and cupholders

DOOR LOCKS Power programmable automatic locks with central locking and rear-door child safety locks; remote keyless entry with illuminated system, lock, unlock and panic functions, includes 2 transmitters

DRIVER INFORMATION CENTER Vehicle status readout

ELECTRIC PARKING BRAKE

INSTRUMENT PANEL Analog, backlit

MIRROR Automatic-dimming rearview mirror with OnStar controls

ONSTAR Standard one-year Directions & Connections Plan includes: OnStar Turn-by-Turn Navigation⁴ with eNav⁵ and Destination Download;⁶ services such as Automatic Air Bag Deployment Response, Automatic Crash Response, Remote Door Unlock,⁷ Stolen Vehicle Location Assistance,⁸ OnStar Vehicle Diagnostics;⁹ Emergency Services and Roadside Assistance; Information & Convenience Services by which an OnStar Advisor can provide restaurant recommendations, make hotel reservations and give directory information; and available OnStar Hands-Free Calling, a built-in feature of OnStar that lets you make and receive voice-activated calls.¹⁰ Virtual Advisor: This service, accessed by OnStar subscribers through the Hands-Free Calling feature, is for 12 months along with the standard one-year OnStar subscription included on all Cadillac models. You can connect with Virtual Advisor to hear location-based weather and traffic reports, and stock information.

(See the back of this catalog and visit onstar.com for more information)

SAFETY BELTS Lap and shoulder belts for all positions with belt-to-seat mounting and pretensioners for driver and front passenger

SEATING 5-passenger; front bucket leatherette seats with 8-way power adjuster/recliner, driver's seat; fixed-back rear seat with armrest pass-through to trunk, includes cupholders

STEERING COLUMN Manual rake wheel, telescoping

STEERING WHEEL Leather-trimmed, Tilt-Wheel adjustable with fingertip controls for sound system, climate control system, traction control, phone call end and available navigation repeat

THEFT-DETERRENT SYSTEM PASS-KEY III+ immobilizer; audible content theft-deterrent system

VISORS Illuminated vanity mirrors, driver and front passenger

WINDOWS Power with express-up and -down on driver and front passenger side windows; rear windows express-down; rear passenger windows with child lockout system

XM RADIO¹¹ With 3-month trial, features over 170 digital-quality channels coast to coast, including 69 commercial-free music channels, over 5,000 live sports broadcasts, the best in news, talk and comedy and instant traffic and weather for 21 major markets, plus artist and song title display.

AVAILABLE CTS FEATURES

OPTIONS CAN ALSO BE FOUND IN ALL THREE CTS COLLECTIONS. CONSULT YOUR CADILLAC SALES CONSULTANT FOR DETAILS.

ENGINE BLOCK HEATER

POWERTRAIN 6-speed automatic transmission

TIRE, COMPACT SPARE Replaces standard inflator kit. Vehicle does not include traditional compact spare

ULTRAVIEW SUNROOF Power, tilt-sliding, electric with express-open, and power sunshade

WOOD TRIM I Sapele wood trim on instrument panel, center console and door trim

WOOD TRIM II Sapele wood trim on steering wheel and shift knob (requires purchase of Wood Trim I package)

DIMENSIONS AND CAPACITIES

EXTERIOR

LENGTH	191.6"
HEIGHT	58.00"
WIDTH	72.5"
WHEELBASE	113.4"

TRACK WIDTH

FRONT	62.0"
REAR	62.0"

INTERIOR

	FRONT	REAR
HEAD ROOM	38.8"	37.2"
LEG ROOM	42.4"	35.9"
HIP ROOM	55.1"	54.1"
SHOULDER ROOM	56.6"	56.2"

CAPACITIES

INTERIOR VOLUME	98.0 cu. ft.
TRUNK CAPACITY¹²	13.6 cu. ft.
FUEL CAPACITY	approximately 17 gal.

WHEELS AND TIRES



17" x 8" cast aluminum wheels with painted finish and all-season P235/55R17, H-rated tires.



17" x 8" cast aluminum wheels with machined bright finish and all-season P235/55R17 H-rated tires. AVAILABLE WITH LUXURY LEVEL I PACKAGE



18" x 8" cast aluminum wheels with premium, multi-coat painted finish and all-season P235/50R18 V-rated tires. INCLUDED IN THE PERFORMANCE COLLECTION



18" x 8" cast aluminum wheels with high polished finish and all-season P235/50ZR18 Y-rated tires. AVAILABLE IN THE PERFORMANCE OR PREMIUM COLLECTIONS OR INCLUDED WITH 18-INCH SUMMER TIRE PERFORMANCE PACKAGE

¹ Servotronic is a registered trademark of ZF Lenksysteme GmbH ² Always use safety belts and the correct child restraint for your child's age and size, even in vehicles with air bags. Even in vehicles equipped with Passenger Sensing System, children are safer when properly secured in the rear, in an appropriate infant, child or booster seat. Never place a rear-facing infant restraint in the front seat of any vehicle equipped with an active frontal air bag. See the vehicle Owner's Manual and child safety seat instructions for more safety information. ³ RDS only functions where stations broadcast RDS information. ⁴ Not available in certain areas. ⁵ Requires Directions & Connections plan. Not available in certain areas and with Verizon Wireless Nationwide plan with OnStar. Visit onstar.com for coverage map. ⁶ Requires Directions & Connections plan and compatible navigation system. ⁷ Success varies with conditions. ⁸ Capability to locate stolen vehicles varies with conditions. ⁹ Services vary on Cadillac CTS. For details call 1 888 4ONSTAR (466 7827). ¹⁰ OnStar Hands-Free Calling requires a Hands-Free Calling enabled vehicle, existing OnStar service contract and prepaid minutes or enrollment in a shared minutes plan. Not available in certain markets. Calls may be made to the U.S. and Canada only. ¹¹ XM is available only in the 48 contiguous United States. Required \$12.95 monthly subscription sold separately after three trial months. Visit gm.xradio.com for more details. The XM name is a registered trademark of XM Satellite Radio Inc. All rights reserved. All other trademarks are the property of their respective owners. ¹² Cargo and load capacity limited by weight and distribution. ¹³ Map coverage not available in Puerto Rico.

CTS-V FEATURES AND OPTIONS

DRIVETRAIN

ENGINE 6.2L supercharged V8

HORSEPOWER 556 @ 6100 rpm

TORQUE 551 lb-ft @ 3800 rpm

COMPRESSION RATIO 9.1:1 nominal

VALVETRAIN Overhead valve, 2 valves per cylinder; 12.5 mm lift

IGNITION SYSTEM Direct-mount ignition coils; extended-life dual platinum-tipped spark plugs

FIRING ORDER 1-8-7-2-6-5-4-3

BORE x STROKE (mm) 103 x 92

FUEL SYSTEM Sequential fuel injection

BLOCK Cast aluminum

CYLINDER HEAD Cast aluminum

CRANKSHAFT Steel, 8-bolt flange

CAMSHAFT Hydraulic roller-type, low lift

CONNECTING RODS Powder metal

ADDITIONAL FEATURES Pan-mounted oil cooler; cast pistons; high-flow cylinder heads; block-mounted piston squirters; close-mounted converters; acoustic engine cover; E67 engine controller

GEARBOX 6-speed, rear-wheel drive, TREMEC® TR-6060 manual

GEAR RATIOS 1st: 2.66; 2nd: 1.78; 3rd: 1.30; 4th: 1.00; 5th: 0.80; 6th: 0.63; Reverse: 2.90; Final Drive: 3.73

CHASSIS

CHASSIS Performance rear-wheel-drive system

BRAKES High-performance aluminum 6-piston front, 4-piston rear caliper Brembo disc brakes with slotted and vented 15" rotors front, 14.7" rotors rear, power-assist with 4-channel ABS

LIMITED-SLIP DIFFERENTIAL With axle positraction

PERFORMANCE-TUNED SUSPENSION

FRONT: Independent, short/long arm; 29-mm hollow stabilizer bar; elastomeric handling and ride bushings; 65-N/mm spring rate

REAR: Independent, short/long arm; 24-mm solid stabilizer bar; elastomeric trailing arm bushing; 90-N/mm spring rate

STABILITY CONTROL SYSTEM StabiliTrak, 4-channel, computer controlled, 4 driver-selectable modes

STEERING ZF Servotronic® II, speed-sensitive, power-assisted rack-and-pinion; variable ratio

TRACTION CONTROL SYSTEM All-speed with brake and engine intervention

WEIGHT DISTRIBUTION 54/46 front/rear

COCKPIT

AIRBAGS² Driver and front passenger front-impact; Passenger Sensing System; driver and front passenger seat-mounted side-impact; front-to-rear head-curtain² side-impact air bags

ARMREST CENTER FRONT AND REAR

AUDIO SYSTEM 10-speaker Bose® 5.1 Cabin Surround® Sound System; hard-drive device; AM/FM/RDS³/MP3/DVD with USB audio connectivity and steering wheel controls

BLUETOOTH® FOR PHONE INTERFACE Hands-free calling for personal, portable cell phones

CARGO NET

CLIMATE CONTROL Dual-zone automatic electronic climate control with individual settings for driver and front passenger; outboard outlets adjustable for additional side-window defogging; electronic rear-window defogger

CONSOLE Front center floor console with shifter, integral armrest, storage and cupholders

CRUISE CONTROL Electronic, with set and resume speed

DOOR LOCKS Power programmable automatic locks with central locking and rear-door child safety locks; remote keyless entry with illuminated system, lock, unlock and panic functions, includes 2 transmitters

DRIVER INFORMATION CENTER (DIC) Driver information and vehicle status readout, dual

ELECTRIC PARKING BRAKE

INSTRUMENTATION Analog, includes speedometer, tachometer, fuel gauge, oil pressure gauge, engine water temperature gauge, and Driver Information Center

LIGHTING Accent lighting LED spotlights with lighting pipes

KEYLESS ACCESS/SMART REMOTE START Keyless access system with Smart Remote Start that will activate heated seats, climate control system and defroster (Smart Remote Start not available with six-speed manual transmission)

MEMORY Presets for 2 drivers, includes 10-way power driver seat, outside mirrors, and driver personalization

MIRROR Automatic-dimming rearview mirror with OnStar controls

ONSTAR Standard one-year Directions & Connections Plan includes: OnStar Turn-by-Turn Navigation⁴ with eNav⁵ and Destination Download,⁶ services such as Automatic Air Bag Deployment Response, Automatic Crash Response, Remote Door Unlock⁷ Stolen Vehicle Location Assistance⁸ OnStar Vehicle Diagnostics,⁹ Emergency Services and Roadside Assistance; Information & Convenience Services by which an OnStar Advisor can provide restaurant recommendations, make hotel reservations and give directory information; and available OnStar Hands-Free Calling, a built-in feature of OnStar that lets you make and receive voice-activated calls.¹⁰ Virtual Advisor: This service, accessed by OnStar subscribers through the Hands-Free Calling feature, is for 12 months along with the standard one-year OnStar subscription included on all Cadillac models. You can connect with Virtual Advisor to hear location-based weather and traffic reports, and stock information. (See the back of this catalog and visit onstar.com for more information)

SAFETY BELTS Lap and shoulder belts for all positions with belt-to-seat mounting and pretensioners for driver and front passenger

SEATS 5-passenger; front heated bucket leather seating surfaces with sueded fabric material inserts, 10-way power adjuster/recliner, 2-way lumbar, driver's and front passenger seat; fixed-back rear seat with armrest pass-through to trunk, includes cupholders

STEERING COLUMN Manual rake wheel, telescoping

STEERING WHEEL Leather-trimmed, Tilt-Wheel adjustable with fingertip controls for sound system, climate control system, traction control, phone call end and available navigation repeat

THEFT-DETERRENT SYSTEM PASS-KEY III+ immobilizer; audible content theft-deterrent system

UNIVERSAL HOME REMOTE 3-channel programmable

VISORS Illuminated vanity mirrors, driver and front passenger

WINDOWS Power with express-up and -down on driver and front passenger side windows; rear windows express-down; rear passenger windows with child lockout system

XM RADIO¹¹ With 3-month trial, features over 170 digital-quality channels coast to coast, including 69 commercial-free music channels, over 5,000 live sports broadcasts, the best in news, talk and comedy and instant traffic and weather for 21 major markets, plus artist and song title display.

EXTERIOR

GRILLE Polished stainless steel wire mesh

HEATED WINDSHIELD WASHER FLUID Aids defrosting, cleaning sap and insect residue

LIGHTS Daytime running lamps with Twilight Sentinel automatic operation, Xenon High-Intensity Discharge (HID) headlamps with flash-to-pass and windshield wiper activation; headlamp washers; Adaptive Forward Lighting; frontal fog lamps; illuminated entry; LED taillamps

MIRRORS Driver and passenger, heated, power adjustable and folding, with memory

POLISHED EXHAUST TIPS

SPOILER Integrated, with CHMSL

TIRE PRESSURE MONITORING SYSTEM

ULTRASONIC REAR PARKING ASSIST With LED indicator and audible warning

WIPERS Intermittent front, automatic Rainsense wipers with moisture detection

AVAILABLE CTS-V FEATURES

ENGINE BLOCK HEATER

GEARBOX 6-speed, rear-wheel drive, electronically controlled, automatic overdrive transmission with torque converter clutch, Performance Algorithm Shifting and Driver Shift Control (DSC) for clutchless manual operation, includes paddle mounted shifters

GEAR RATIOS 1st: 4.02; 2nd: 2.36; 3rd: 1.53; 4th: 1.15; 5th: 0.85; 6th: 0.67; Reverse: 3.06; Final Drive: 3.23

NAVIGATION¹³ Including hard-drive device; Bose® 5.1 Cabin Surround® Sound System; 8" diagonal pop-up touch screen with voice and text guidance; limited detail routing

PERFORMANCE SEATING Ventilated driver and front passenger RECARO 14-way performance seats with performance metal pedals

SUEDED-FABRIC ACCENTS On steering wheel and shift knob

ULTRAVIEW SUNROOF Power, tilt-sliding, electric with express-open, and power sunshade

CTS-V WHEELS AND TIRES



FRONT: 19"x9" aluminum alloy 5-lug with 10-spoke, painted (polished optional) and P255/40R19 extended mobility tires



REAR: 19"x9.5" aluminum alloy 5-lug with 10-spoke, painted (polished optional) and P285/35R19 extended mobility tires

CTS & CTS-V COLORS

ChromaFlair® uses advanced light interference technology and prismatic metallic pigments to create intense, deeply lustrous color. Tri-coat is a meticulous three-layer process that results in a dramatic hue-shifting color reminiscent of a show-car finish. Tintcoat is a premium two-layer paint application with the addition of a tinted clearcoat, lending the finish an extra depth and brightness.

EXTERIOR



BLACK CHERRY¹



RADIANT SILVER



BLACK ICE³



BLUE DIAMOND² (TRI-COAT)



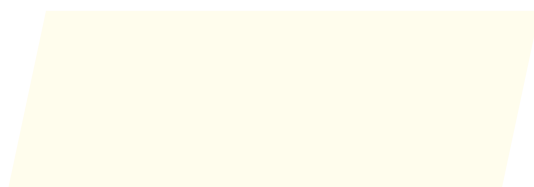
THUNDER GRAY² (CHROMAFLAIR® PIGMENT⁴)



CRYSTAL RED² (TINTCOAT)



BLACK RAVEN



WHITE DIAMOND² (TRI-COAT)



GOLD MIST¹

INTERIOR



LIGHT TITANIUM (WITH EBONY ACCENTS)



EBONY (WITH EBONY ACCENTS)



CASHMERE (WITH COCOA ACCENTS)¹



A FEW WORDS ABOUT THIS CATALOG

We have tried to make this catalog comprehensive and factual. We reserve the right, however, to make changes at any time, without notice, in prices, colors, materials, equipment, specifications, models and availability. Specifications, dimensions, measurements, ratings and other numbers in this catalog and other printed materials provided at the dealership or affixed to vehicles are approximates based upon design and engineering drawings and prototypes and laboratory tests. Your vehicle may differ due to variations in manufacture and equipment. Since some information may have been updated since the time of printing (6/08), please check with your Cadillac dealer for complete details. Any variations in colors shown are due to reproduction variation in the printing process.

Cadillac reserves the right to lengthen or shorten the model year for any product for any reason, or start and end model years at different times.

Note: Some photographs in this catalog show vehicles with optional equipment.

ONSTAR

OnStar services require vehicle electrical system (including battery), wireless service and GPS satellite signals to be available and operating for features to function properly. OnStar acts as a link to existing emergency service providers. Subscription Service Agreement required. Call 1 888 4ONSTAR (1 888 466 7827) or visit onstar.com for OnStar's Terms and Conditions, Privacy Policy and system limitations and details.

ENGINES

Cadillac products are equipped with engines produced by GM Powertrain or suppliers to GM worldwide. The engines in Cadillac products may also be used in other GM makes or models.

TIRE SEALANT AND COMPRESSOR KIT

Unless you option into a spare tire, there is no jack or spare tire in this vehicle. If you do not option into the spare tire, your vehicle has a tire sealant and compressor kit that uses a liquid tire sealant to temporarily seal up to a ¼ inch puncture in the tread area of the tire. After using the inflator kit, it is recommended to take the tire to an authorized dealer for inspection and repair as soon as possible but at least within 100 miles of driving. The tire sealant cannot seal and inflate sidewall damage, punctures larger than ¼ inch, or a tire that has unseated from the wheel. The sealant can only be used on one tire one time before its expiration date.

ASSEMBLY

Cadillac vehicles and their components are assembled or produced by different operating units of General Motors, its subsidiaries or suppliers to GM worldwide. We sometimes find it necessary to produce Cadillac vehicles with different or differently sourced components than originally scheduled. Since some options may be unavailable when your vehicle is assembled, we suggest that you verify that your vehicle includes the equipment you ordered or, if there are changes, that they are acceptable to you.

UPDATED SERVICE INFORMATION

Cadillac dealers receive useful service bulletins about Cadillac products. You may purchase them from Helm Incorporated by calling 1 800 551 4123 or by visiting www.helminc.com.

NEW-VEHICLE LIMITED WARRANTY

The Best Luxury Coverage in the Industry, standard on every 2009 Cadillac. This warranty is for Cadillac vehicles registered in the U.S.A. See your Cadillac dealer for terms and conditions.

COVERED FOR 5 YEARS/100,000 MILES (WHICHEVER COMES FIRST):

Powertrain Limited Warranty with no deductible
Roadside Assistance Program¹
Courtesy Transportation Program¹

COVERED FOR 4 YEARS/50,000 MILES (WHICHEVER COMES FIRST):

Bumper-to-Bumper Coverage
Tires - Defects in material and workmanship
Repairs made to correct any vehicle defect
Corrosion on body sheet metal panels

RUST THROUGH PROTECTION

Cadillac vehicles are designed and built to resist corrosion and rust-through corrosion. Any body sheet metal that rusts through (in the form of an actual hole in the sheet metal) is covered for six years unlimited mileage. Cosmetic or surface corrosion, resulting from stone chips or scratches in the paint, for example, is not included in the Rust Through coverage. Application of additional rust inhibiting materials is not required under the Rust Through coverage and none is recommended. See your Cadillac dealer for terms of this limited warranty.

SAFETY AND SECURITY

The following are just some of the standard features on all 2009 CTS models unless otherwise noted.

OCCUPANT PROTECTION

Active Head Restraints
Automatic door locks
Child security door locks and door retention components
Manual lap/shoulder belts (outboard positions only); air bags, driver/front passenger and head curtain; air bags for front and rear
Passenger-guard inside door lock handles
Passenger Sensing System (front)
Power window lockout
Safety belt cinch capability for child seats
Safety belt pretensioners

SECURITY

Anti-lockout feature
Audible theft-deterrent system
Battery rundown protection
Laser-etched VIN plate
PASS-Key III+ theft deterrent system
Remote keyless entry
Remote deck and hood releases
OnStar Stolen Vehicle Location Assistance (Requires OnStar service)
OnStar Emergency Services

CRASH AVOIDANCE

Anti-lock brakes, front and rear
Brake Assist
Automatic daytime running lamps
Automatic exterior lamp control
Disc brakes, front and rear, audible wear indicator
Door warning lamps or reflectors
Fog lamps (optional)
Halogen headlamps
Window defoggers
Inside electrochromic rearview mirror
Outside power rearview mirrors, heated
StabiliTrak stability control system
Steering wheel-mounted controls
Tinted glass windshield
Tires with built-in tread wear indicators
Traction control

CADILLAC OWNER PRIVILEGES

By driving a CTS, you're part of a select group that enjoys special privileges, like the new Cadillac Owner Center, a one-stop resource to enhance your Cadillac ownership experience. Powered by Yahoo!, the Owner Center includes online service reminders, special offers, an online Owner's Manual and more. Members can also store their service records in one place online and have the opportunity to connect with other Cadillac owners. Enroll for these benefits at cadillac.com/owners.

Owner Privileges also includes 24-hour Roadside Assistance (1 800 882 1112). Free roadside services include jump-starts, towing, lockouts, emergency fuel delivery and flat tire changes. Courtesy transportation is also available whenever your vehicle is in for warranted repairs. And trip interruption protection will reimburse you for expenses incurred as a result of a warranted repair that interrupts your travel. Your vehicle is also covered by the GM bumper-to-bumper limited warranty.

Cadillac Roadside Assistance and courtesy transportation programs are in effect for the first 60 months or 100,000 miles of ownership, whichever comes first. See your dealer for complete details, terms and conditions of these programs and the GM limited warranty.

¹ Roadside Assistance Program and Courtesy Transportation Program are not a part of the New Vehicle Limited Warranty. A separate booklet entitled "Warranty and Owner Assistance Information" furnished with each new vehicle provides detailed warranty coverage information.

Cadillac

Life. **LIBERTY.** AND THE *PURSUIT.*[™]

FOR OVER 100 YEARS, CADILLAC HAS BEEN THE AUTOMOTIVE REPRESENTATION OF THE AMERICAN DREAM.

A ROLLING HIGH FIVE. A TANGIBLE SYMBOL OF SUCCESS. BUILT FOR PEOPLE WHO KNOW THAT HERE, IN THIS COUNTRY, IT DOESN'T MATTER WHERE YOU CAME FROM.

IT ONLY MATTERS HOW FAR YOU WANT TO GO. AND HOW FAST YOU WANT TO GET THERE. IT'S AN OPEN ROAD, DRIVEN BY THOSE WHO HAVE THE COURAGE TO CHASE

THE DREAM, CATCH IT AND LET IT GO. SO THEY CAN CHASE AN EVEN BIGGER ONE. BECAUSE THAT'S WHAT THE PURSUIT IS ALL ABOUT.

WWW.CADILLAC.COM